

Waterford Stanley

DESIGNED TO WORK BEAUTIFULLY



For your way of life

LA CORNUE

RANGEmaster
UNRIVALLED PERFORMANCE



NEW PRODUCT ADDITIONS FOR AUTUMN 2021

Waterford Stanley

WATERFORD STANLEY INNOVATION

An Irish company with a long and proud tradition, Waterford Stanley has been bringing warmth and comfort to homes for generations, stretching back to when the first range cooker was designed and built in Waterford, Ireland in 1936.

Our brands include Stanley, AGA, Rangemaster, Rayburn, Falcon, Mercury, La Cornue, Bilberry and Waterford Appliances, these combine superb craftsmanship and design to create products that suit a modern lifestyle and bring people together over good food, warmth and a strong sense of heritage.

Our product portfolio includes, gas, electric, wood, multi fuel and pellet stoves. Air to Water Heat Pumps and Underfloor Heating, as well as built-in appliances including hobs, ovens, dishwashers, microwaves and refrigeration. We also offer a comprehensive and stunning range of cookers from Stanley, Rangemaster, AGA, Rayburn, Falcon, Mercury and La Cornue.



PART OF MIDDLEBY RESIDENTIAL

Middleby Residential is a collection of premier international consumer brands dedicated to manufacturing and distributing many of the best known and loved kitchen appliances and interior furnishings in the world. Stanley, AGA, Rangemaster, Rayburn, Falcon, Mercury and La Cornue are just some of the brands under the Middleby Residential division.

For more than 100 years the company has been innovating and leading the way in foodservice and you'll find Middleby brands in many of the world's most famous kitchens.

Waterford Stanley is part of the Middleby Corporation, the leading global provider of commercial kitchen equipment.

Waterford Stanley
Residential



RENEWABLES DIVISION

Our renewable Stanley heating product range comprises air-to-water heat pumps together with bespoke underfloor heating solutions

We provide an extensive design and support service. Heat loss calculations, heat pump certification, underfloor heating design and designer sign-off certification are all part of our service to ensure that our product meets the building regulations requirements.

In addition, we offer room heating and central heating stoves in pellet, wood and multifuel options all of which are compliant with Ecodesign 2022, the new European standard for lowering emissions from wood burning and multi-fuel stoves.

Waterford Stanley
Renewables



WATERFORD STANLEY NETWORK

Over 500,000 homes throughout Ireland have one of our products, supported by a comprehensive network of stockists. Across the country we have dedicated centres of excellence for Stanley, Rangemaster and AGA, with the largest range of our displayed including working models and trained staff with an in-depth knowledge of our product range.

In addition we have an extensive network of service engineers across the Island of Ireland for Stanley and Rayburn and Republic of Ireland for AGA and Rangemaster.

For tips and inspiration across our brands, follow us [@waterfordstanley](#)



[@waterfordstanley](#)



[WaterfordStanley](#)



[WaterfordStanley](#)



[waterfordstanley](#)



[waterford-stanley-ltd](#)

NEW
STOVE
+ NEW COLOUR
OPTIONS



OISIN ECO

The Oisín Eco solid fuel stove is the smallest stove in our classic collection and offers high heat output 6.4kW and excellent efficiency of 81.5%. Our Oisín stove is now Ecodesign approved with key modifications that are not only better for efficiency, but better for the environment too.

Features

- Nominal Heat Output 5.1kW
Maximum Heat Output 6.4kW
- 81.5% efficiency - three times more efficient than an open fire
- Fits into standard Fireplace
- Primary, Secondary and Tertiary Air
- Secondary air provides cleaner combustion
- Window wash air to maintain a clean glass
- A Energy Rating
- Available in Matt Black, Satin Black and Satin Cream
- Top and rear flue exit



Matt Black



Satin Cream



Satin Black

See page 16 for detailed dimension drawings. Please consult product technical manuals for dimensions and guidelines before installation.

NEW
COLOUR
OPTIONS

AOIFE ECO

The perfect way to upgrade your existing open fireplace, its neat size suits urban living and is powerful enough to heat open-plan rooms. The clean design lines and large viewing glass offer a stunning contemporary take on a traditional stove design.

Features

- 7.3kW maximum heat output to room
- Efficiency 80.9% - three times more efficient than an open fire
- Lower horizontal flue height which - fits in existing fireplaces
- Manual controlled primary air
- Separate secondary window wash air control
- Large viewing glass
- A Energy Rating
- Available in colours matt black, enamel black, enamel cream and enamel slate
- Top and rear flue exit



Matt Black



Enamel Black



Enamel Slate



Enamel Cream

See page 20 for detailed dimension drawings. Please consult product technical manuals for dimensions and guidelines before installation.

NEW
COLOUR
OPTIONS



TARA ECO

A medium-sized stove in our collection is the Tara solid fuel, which comes in a choice of colours to suit a wide variety of interiors. With simple, easy-to-use controls, the Tara stove combines durability and efficiency.

Features

- Max 8kW of heat to the room
- Primary, Secondary and Tertiary Air
- Up to 80.5% efficient - three times more efficient than an open fire
- Removable ash-pan, fire fence and front ash tray
- A Energy Rating
- Ecodesign 2022 approved
- Available in Matt Black, Satin Black and Satin Cream



Matt Black



Satin Black



Satin Cream

See page 20 for detailed dimension drawings. Please consult product technical manuals for dimensions and guidelines before installation.

BILBERRY

**NEW
STOVE**

BILBERRY ECO STOVES

Compact and stylish, our range of new Ecodesign Bilberry stoves come in 2 outputs: 5kW Nore and 8kW Suir with the Barrow stove offering a log store. The stoves are named after The Three River Sisters in Ireland, the River Barrow, the River Nore and the River Suir.

Features

- Nominal Heat Output
 - Nore & Barrow 5kW to the room
 - Suir 8kW to the room
- Efficiency up to 78.8% on solid fuel and up to 82.5% on wood - three times more efficient than an open fire
- Primary air control for under grate air
- Combined Secondary window wash & Tertiary control
- Steel Frame with Cast Iron Door
- Multifuel stove
- Large viewing glass
- Top and rear flue exit
- Flue outlet size 125mm
- External Air Capability (Spigot Included)
- Log Store on Barrow



NORE



SUIR



BARROW

See page 20 for detailed dimension drawings. Please consult product technical manuals for dimensions and guidelines before installation.

NEW
STOVE



SOLIS F500 CURVE

One of the smallest contemporary stoves on the market, the SOLIS F500 Curve is all that is good about heating in a smaller size. Featuring stylish chrome handles and convenient log store, the SOLIS F500 Curve can burn wood and multi fuel with the option of a coal kit.

Features

- Nominal Heat Output 5kW to the room
- Efficiency 82% - three times more efficient than an open fire
- Primary air control for under grate air
- Combined Secondary window wash & Tertiary control
- True wood burning stove
- A+ rated stove
- Large viewing glass
- Fully steel stove
- 5" Top and Rear Flue



See page 20 for detailed dimension drawings. Please consult product technical manuals for dimensions and guidelines before installation.

NEW
INSERT



SOLIS 160 INSERT

The SOLIS 160 insert stove with glass frame is a stunning feature in your home. Smallest in our glass frame wood burning inserts takes up less space in your home but offers same heat efficiencies and good output to the room.

Features

- Nominal Heat Output 6.2kW
Maximum Heat Output 10kW
- Efficiency 81% - three times more efficient than an open fire
- Ideal for open plan living
- Graphite steel build with high end glass frame
- Combined Secondary window wash & Tertiary control
- True wood burning stove
- 6" Top flue outlet only
- A Energy Label



See page 20 for detailed dimension drawings. Please consult product technical manuals for dimensions and guidelines before installation.

**NEW
STOVE**



SOLIS K1200+ | K1700+ | K2300+
BOILER RANGE

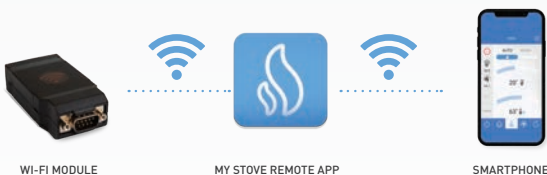
The SOLIS range of pellet boiler stoves with integrated boiler are ideal for all your central heating, domestic hot water and room heating needs. As they are controllable, it is suitable for radiators and/or underfloor heating. Thanks to its reduced maintenance and cleaning, and with a maximum performance guaranteed up to 96% efficiency, the SOLIS range of pellet boiler stoves are the perfect choice for your future home.

Features

- Available in 3 Outputs to the boiler: 10kW, 14kW & 18.8kW
- 3 Models – 8, 12 and 16 standard radiators
- High Efficiency up to 95% - almost 4 times more efficient than an open fire
- Two internal hopper sizes and duration from fill of pellets:
 - 30kg runs for 27 hours
 - 45kg runs for 41 hours
- Stunning glass door finish
- Self-cleaning burner means reduced waste in your ash pan
- Fully adjustable in terms of time and temperature including sleep timer
- Programmable controller with up to 6 on/off times per day
- Flue outlet size 100mm
- Rear flue outlet only
- External air compatible
- Available in 3 colours - Claret, Black and White
- Includes commissioning
- Wifi kit optional extra



K1200+ Dimensions shown. See page 21 for K1700+ and K2300+ dimensions.



See page 21 for detailed dimension drawings. Please consult product technical manuals for dimensions and guidelines before installation.



Black



Claret



White

NEW
STOVE

SOLIS K1700+ | K2300+ CURVED BOILER RANGE

The Stanley SOLIS K2300+ central heating pellet stove heats up to 16 standard radiators, has a 45kg internal hopper with 41 hours run time and has a 7-day timer and is 94% efficient. Efficiency and control at the touch of a button.

Features

- Available in Outputs to the boiler: 14kW & 18.8kW
- 2 Models – 12 and 16 standard radiators
- High Efficiency up to 95% - almost 4 times more efficient than an open fire
- Two internal hopper sizes and duration from fill of pellets:
 - 30kg runs for 27 hours
 - 45kg runs for 41 hours
- Self-cleaning burner means reduced waste in your ash pan
- Fully adjustable in terms of time and temperature including sleep timer
- Programmable controller with up to 6 on/off times per day
- Flue outlet size 100mm
- Rear flue outlet only
- Approved to EN 14785 standard
- External air compatible
- Available in 3 colours - Claret, Black and White
- Includes commissioning
- Wi-Fi kit optional extra



WI-FI MODULE



MY STOVE REMOTE APP



SMARTPHONE

See page 21 for detailed dimension drawings. Please consult product technical manuals for dimensions and guidelines before installation.



K1700+ Curved Dimensions shown. See page 21 for K2300+ Curved dimensions.



Black



Claret



White

**NEW
AND
IMPROVED**



RANGEMASTER 60CM ELECTRIC COOKER

Add style to your kitchen with the new and improved Rangemaster 60cm cookers. Available in two styles: The 60cm Professional + collection comes in a Stainless Steel finish and is perfect for contemporary kitchen designs, while the bevelled doors and arched window of the Classic make it a great accompaniment to painted wood cabinetry in traditional kitchens. The Classic models are available in either Black or Cream finish.

Features: All Models

- New and improved digital timer with touch control
- New Inner Glass and larger viewing windows
- Catalytic Liners
- 'S' Slow cook option
- Electric Grill
- A Rated
- Colour Options: Cream, Black and Stainless Steel

Features: All Gas/Dual Fuel

- NAT / LPG Gas (Jets included)
- Improved Cast Iron Pan Supports
- Griddle & Wok Cradle Included
- 2 x Multi-Function Ovens – Dual Fuel

Features: Induction

- 4 Zone Hob with Boost
- Touch Control
- Timer

See page 23 for detailed dimension drawings. Please consult product technical manuals for dimensions and guidelines before installation.



60cm Classic
Dual Fuel / All Gas



60cm Classic
Induction



60cm Professional
Dual Fuel / All Gas

NEW

RANGEMASTER INTEGRATED FRIDGE FREEZER & DISHWASHER

To continue the seamless finish in your kitchen, we offer an integrated tall fridge and separate freezer with a 70:30 split to suit your shopping habits and food storage preference. The Rangemaster dishwasher is an integrated 12 place setting and has 5 washing temperatures, 6 programmes including auto, auto intensive and auto delicate.

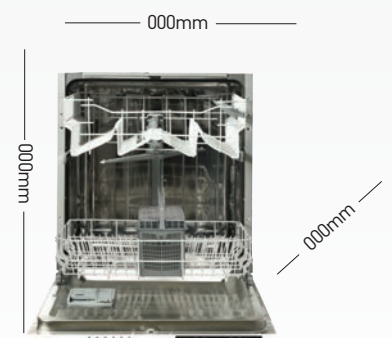
Features

- 70/30 Fully Integrated Fridge Freezer
- Frost Free
- 241 litre net capacity
- A+ rated for energy efficiency
- Super freeze functionality
- Auto Defrost
- LED Lighting
- Chrome finish on all refrigeration shelving
- Retractable Wine Rack
- Reversible hinging
- Four Star freezer



Features

- 60cm Fully Integrated
- 12 place setting
- 6 Programmes
 - 30 minute quick wash
 - ECO wash, Intensive 65°C, Automatic
 - Hygiene Super 50° and Quick 30°
- Delay Start Timer: 1-19 hours
- ½ load option
- Height adjustable basket
- LED Display with touch
- End of cycle notification
- A++



See page 23 for detailed dimension drawings. Please consult product technical manuals for dimensions and guidelines before installation.

NEW
FRIDGE
FREEZERS

Waterford
APPLIANCES



FRENCH STYLE AMERICAN REFRIGERATION

Our beautiful Waterford Appliance French-style American Refrigeration features 2 doors on top including water dispenser for frost free refrigeration and 2 sizeable pullout freezer drawers for all your refrigeration needs. This model is available in Stainless Steel and Dark Inox and works with both classic and contemporary kitchens.

Features

- Available in Stainless Steel or Dark Inox
- Energy Class: A+ / E*
- Frost-free system
- LED Lighting in Fridge & Freezer
- Electronic temperature controller
- Water Dispenser in door
- 2 Vegetable crisper drawers
- 1 Vegetable crisper cover
- 2 Glass shelves
- Freezer compartment: 4-star rating
- Freezer shelf: 2 drawers

* New rescaled energy label (ranging from A to G only) introduced March 1st 2021

See page 22 for detailed dimension drawings. Please consult product technical manuals for dimensions and guidelines before installation.



Dark Inox

Stainless Steel

NEW
FRIDGE
FREEZERS



AMERICAN REFRIGERATION

Our Classic Waterford Appliance American Refrigeration takes food storage to an new level. This model features 2 doors on top including water dispenser for frost free refrigeration and 2 doors on bottom for freezing. The freezer section has 4 drawers and 2 shelves for all your freezing needs. This model is available in Stainless Steel and Dark Inox and works with both classic and contemporary kitchens.

Features

- Available in Stainless Steel or Dark Inox
- Energy Class: A+ / E*
- Frost-free system
- LED Lighting in Fridge & Freezer
- Electronic temperature controller
- Water Dispenser in door
- 2 Vegetable crisper drawers
- 1 Vegetable crisper cover
- 2 Glass shelves
- Freezer compartment: 4-star rating
- Freezer shelf: 2 shelves and 4 drawers

* New rescaled energy label (ranging from A to G only) introduced March 1st 2021



Dark Inox



Stainless Steel



See page 22 for detailed dimension drawings. Please consult product technical manuals for dimensions and guidelines before installation.

NEW
CHEST
FREEZERS



CHEST FREEZERS

Our new range of Waterford Appliance chest freezers come in 3 size options; 98, 198 and 300 litre capacity; have curved handle with key and lock; Wheels for ease of movement and are Thermostatically Controlled.

Features

- 3 x Size Options:
98, 198 and 300 litre capacity
- Curved Handle with key and lock
- 4 Wheels for ease of movement
- Wire Basket
- Thermostatically Controlled
- Energy Rating: A+ / F *
- 2 Yr. Parts & Labour Warranty



* New rescaled energy label (ranging from A to G only) introduced March 1st 2021

See page 22 for detailed dimension drawings. Please consult product technical manuals for dimensions and guidelines before installation.



For your way of life

NEW
AND
IMPROVED



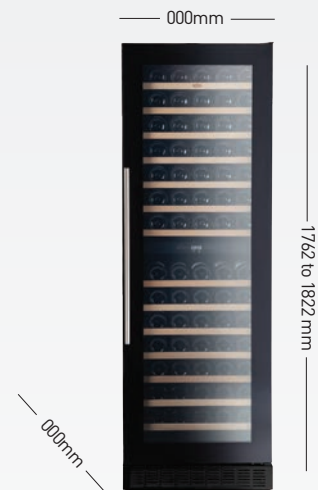
AGA WINE COOLERS

With the stylish good looks and exceptional performance, you'd expect from AGA, the new dual-zone tall wine cabinet and 60cm dual-zone two-door undercounter wine cabinets are the perfect addition to any kitchen. Both models are available in either black or stainless steel. On the two-door the left and right operate as two separate storage areas running at different temperature. This is the same on the tall wine cabinet which has different temperature settings, ensuring just the right environment for your wine.

AGA 60CM TALL WINE CABINET

Features:

- Dual-zone single door
- Upper and lower zones are set at different temperatures
- Available in either black or stainless steel
- Holds 159 bottles so is perfect for wine collectors or enthusiastic entertainers
- Stylish glide-out wooden shelves
- Triple-glazed UV-filtered glass
- Door is reversible
- Antivibration system to ensure your wine is kept in optimum condition
- Illuminated when the door opens
- Door open alarm



AGA 60CM UNDERCOUNTER WINE CABINET

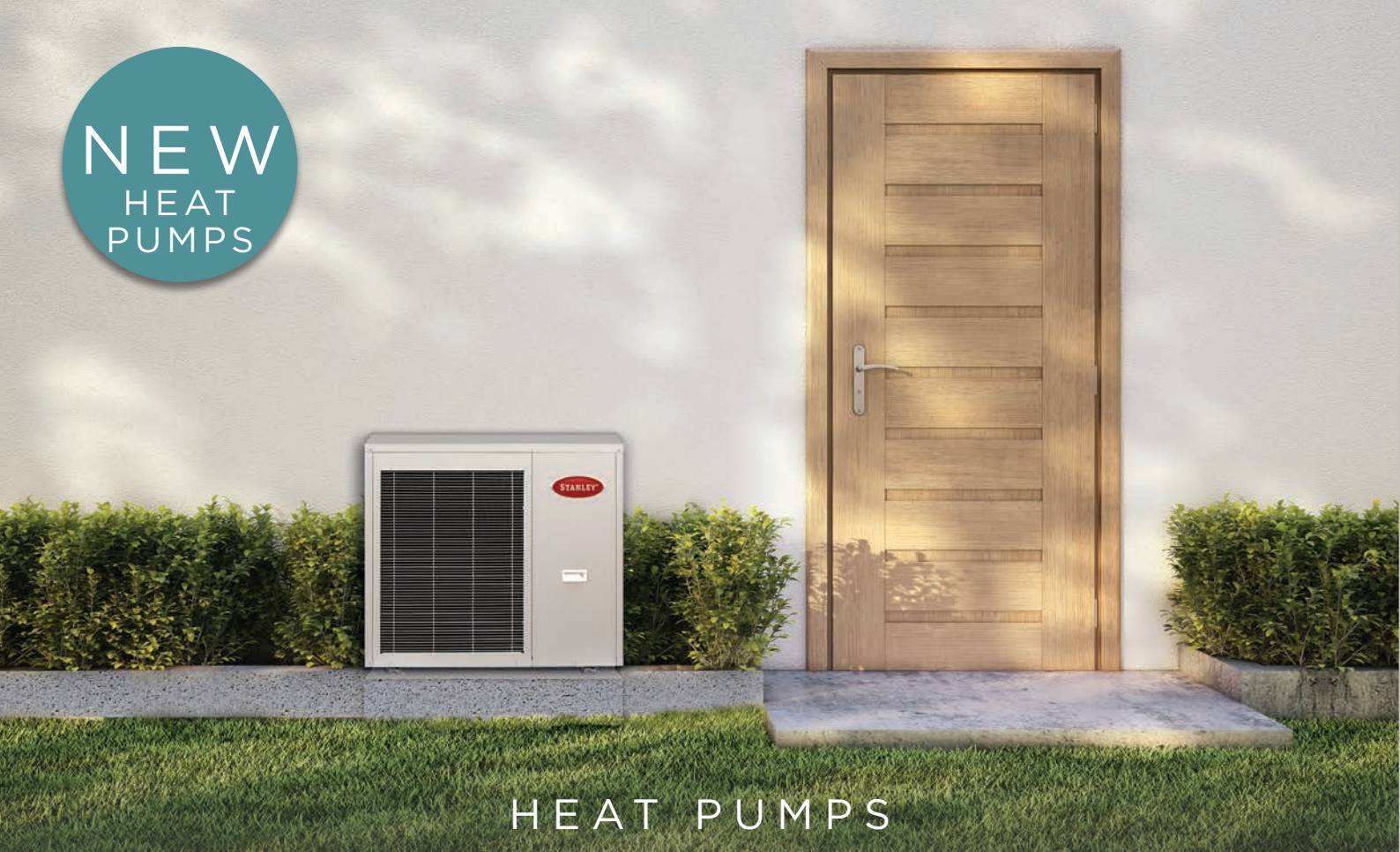
Features:

- Dual-zone two-door
- Left and right operate as two separate storage areas running at different temperatures
- Available in either black or stainless steel
- Holds up to 40 bottles
- Stylish glide-out wooden shelves
- Triple-glazed UV-filtered glass doors
- Antivibration system to ensure your wine is kept in optimum condition
- Illuminated when the door opens
- Door open alarm



See page 23 for detailed dimension drawings. Please consult product technical manuals for dimensions and guidelines before installation.

NEW
HEAT
PUMPS

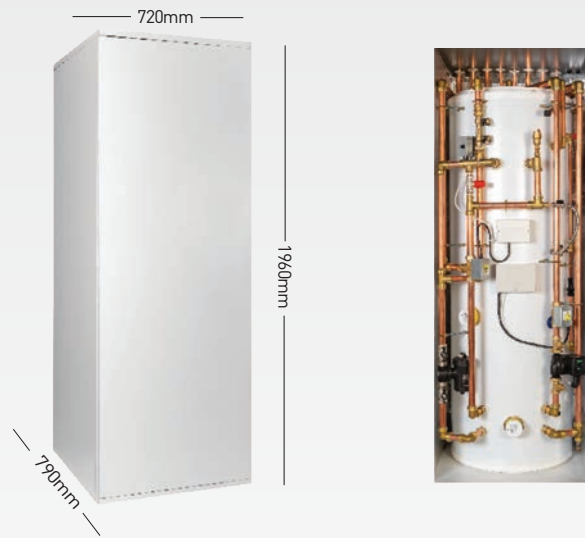


HEAT PUMPS

Air to Water Heat pumps are central heating systems that are an extremely efficient and cost effective method of heating your home. Heat from the air is absorbed at low temperature into a fluid using an external unit. Ideal for new builds or when renovating heating systems in existing buildings and their low noise emission make it ideal for family homes.

Features - Internal Unit

- 200 Litre DHW Cylinder
- 50 Litre Buffer Tank
- Circulation Pump, 2kW Heater
- Built In Sim Card, Data Transfer Unit
- Compact External Housing
- COP: Up to 5.1
- EN16147 Certification
- Energy Class: A++



Features - External Unit

- Air to Water Monobloc System
- 2kW – 7kW Inverter



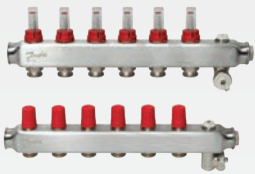
See page 22 for detailed dimension drawings. Please consult product technical manuals for dimensions and guidelines before installation.



UNDERFLOOR HEATING

As well as supplying our range of Stanley Air to Water Heat Pumps, we offer an extensive design and support service. Heat loss calculations, heat pump certification, underfloor heating design and designer sign-off certification are all part of our service, to ensure that our product meets the building regulations requirements.

Our underfloor heating comprises top of the range components including Danfoss manifolds and actuators, Heatmiser Thermostats & Wiring Centres and more.



DANFOSS Manifold



ROBOT Manifold



WILO YONOS Pump



DANFOSS Actuator



Heatmiser Thermostat



Heatmiser Wiring Centre



PE-RT Pipe



Bends



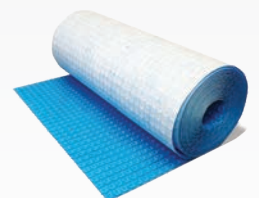
Staples



Insulating Tape



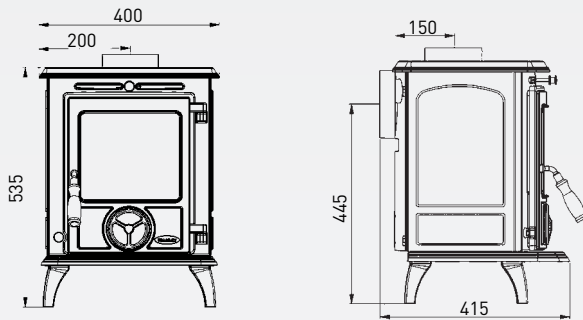
Corrugated Sleeves



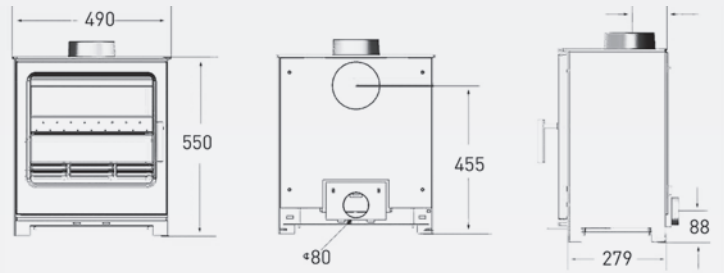
Protective Membrane

TECHNICAL DRAWINGS

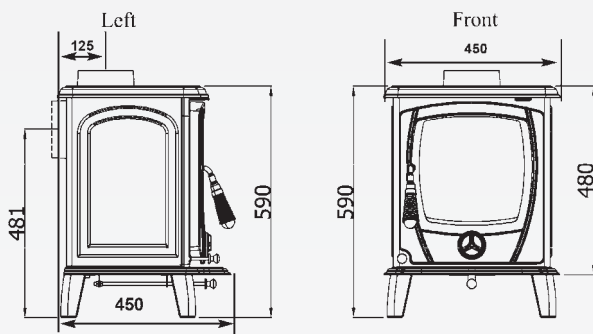
Oisin Eco



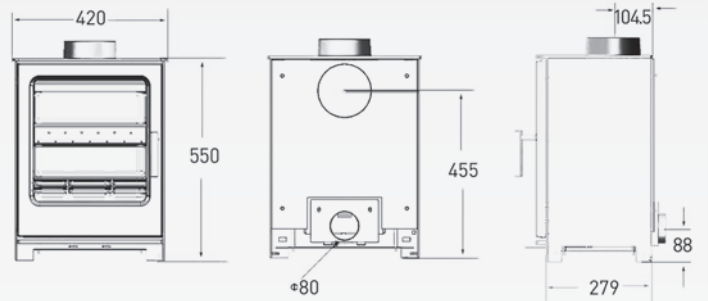
Bilberry Stoves



Aoife Eco

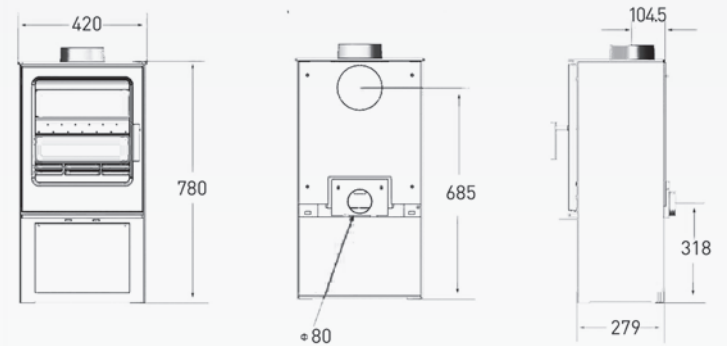
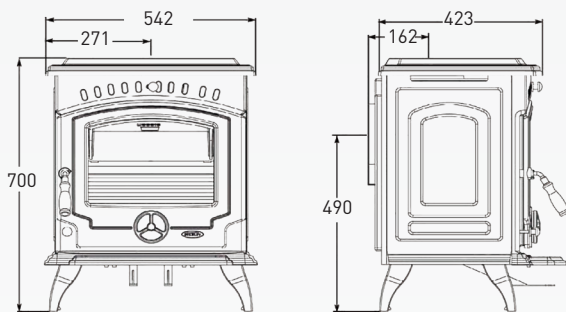


Bilberry Nore



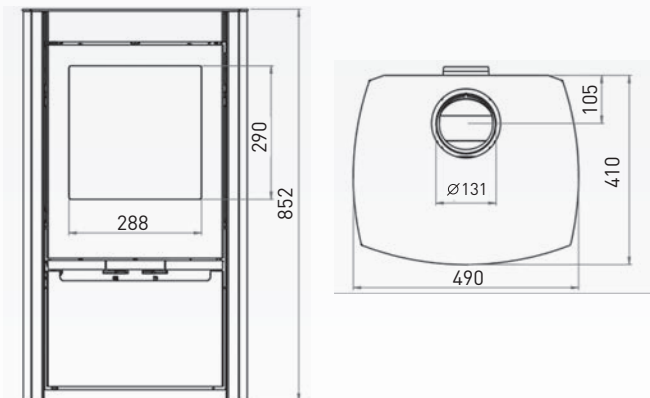
Bilberry Suir

Tara Eco

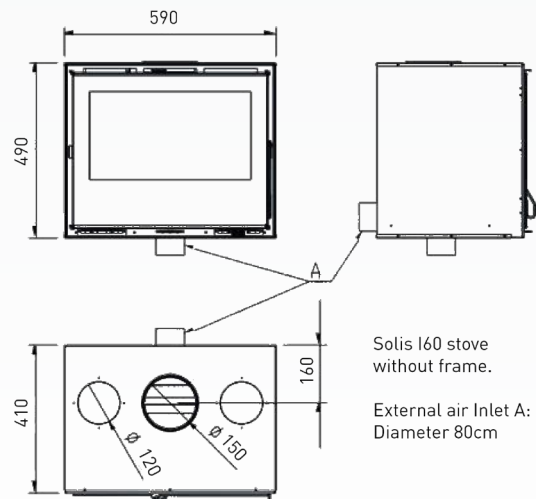


Bilberry Barrow

SOLIS F500 Curve



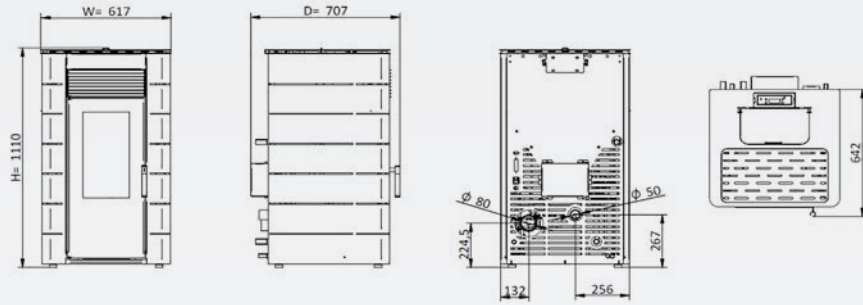
SOLIS I60 SS



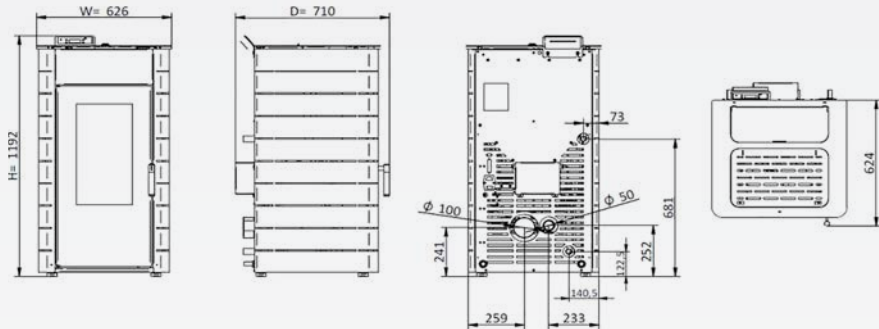
Please consult product technical manuals for dimensions and guidelines before installation.

TECHNICAL DRAWINGS

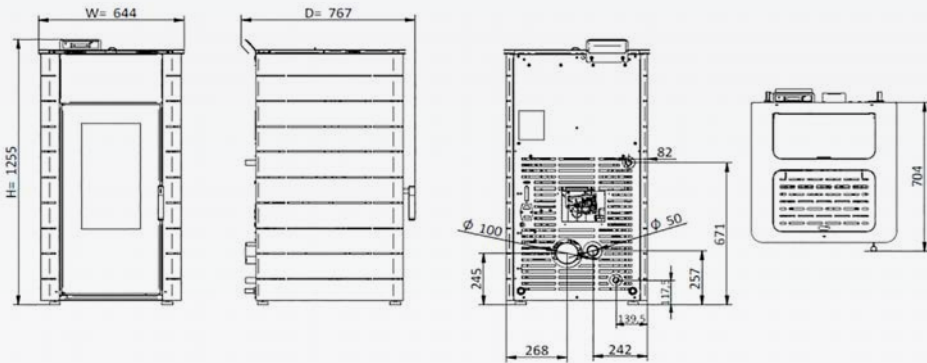
SOLIS K1200+
Pellet Stove



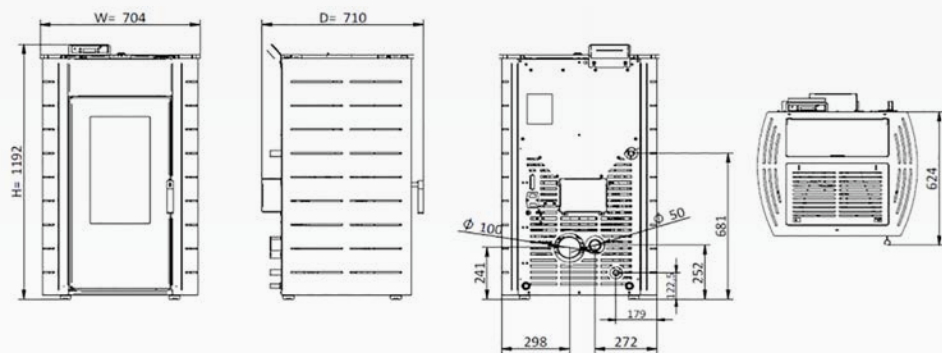
SOLIS K1700+
Pellet Stove



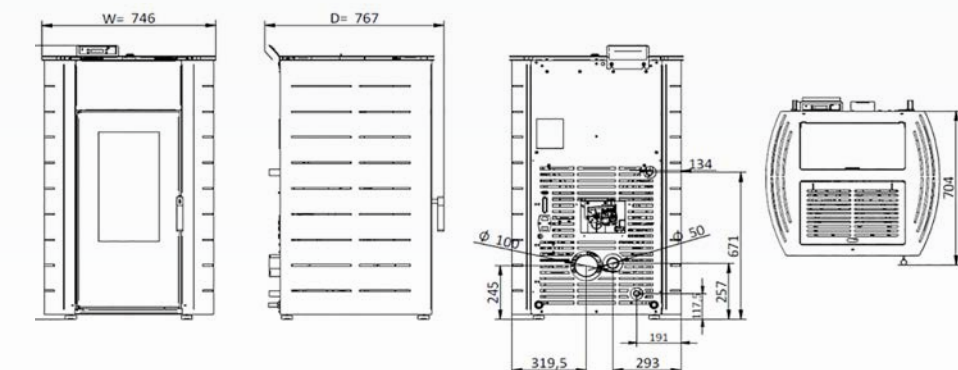
SOLIS K2300+
Pellet Stove



SOLIS K1700+
Pellet Stove
Curved



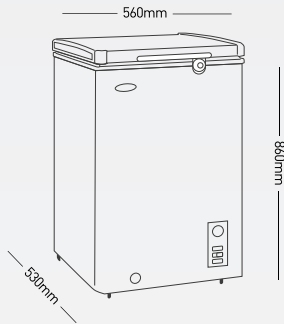
SOLIS K2300+
Pellet Stove
Curved



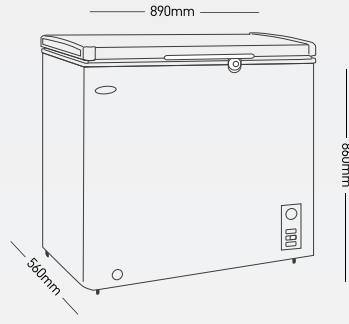
Please consult product technical manuals for dimensions and guidelines before installation.

TECHNICAL DRAWINGS

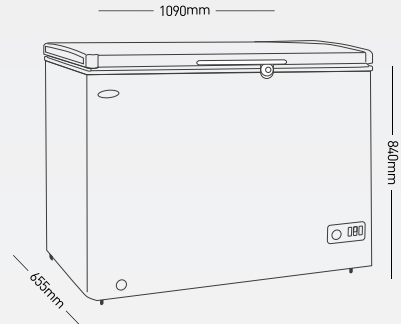
Waterford Appliances Chest Freezers



98 Litre

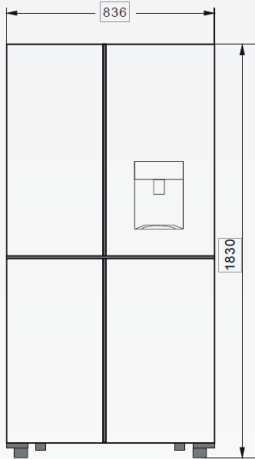


198 Litre

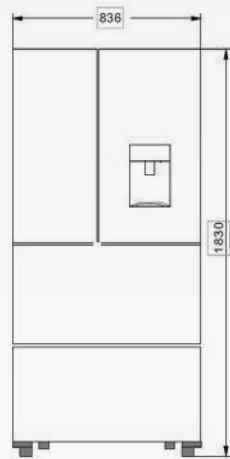
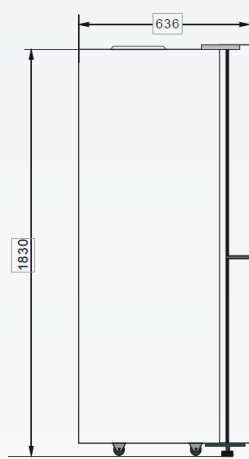


300 Litre

Waterford Appliances American Fridge Freezers



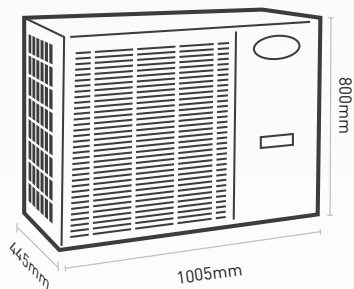
2 Door



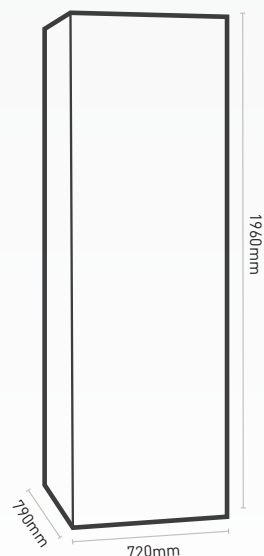
4 Door



Heat Pumps



External Unit

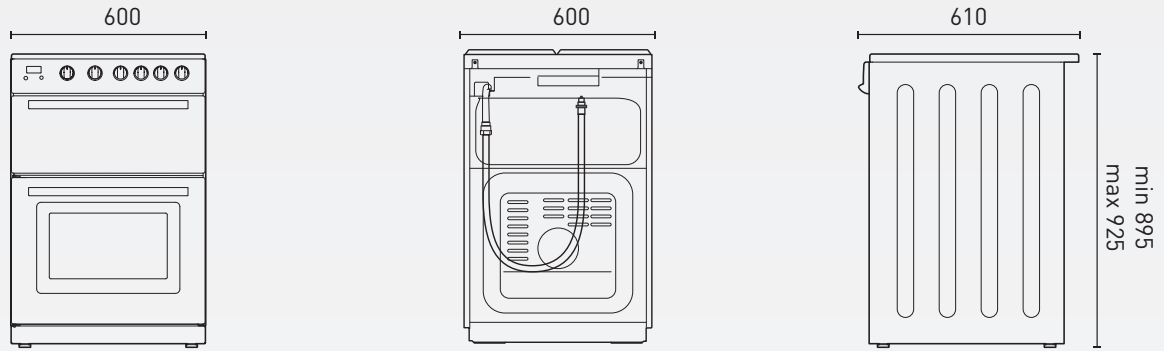


Internal Unit

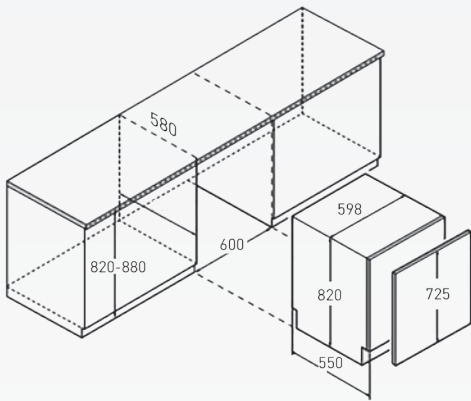
Please consult product technical manuals for dimensions and guidelines before installation.

TECHNICAL DRAWINGS

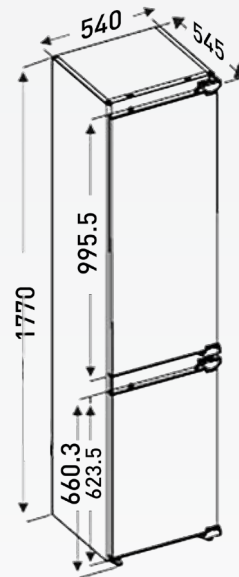
Rangemaster 60



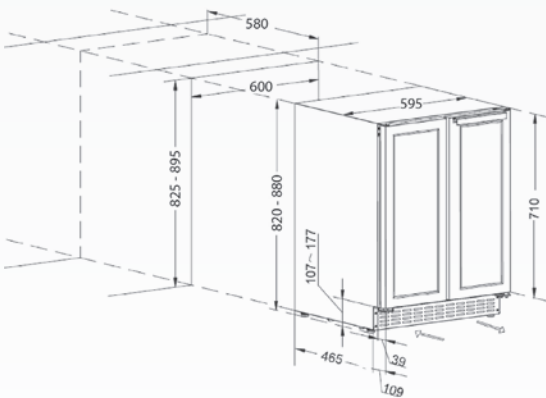
Rangemaster Integrated Dishwasher



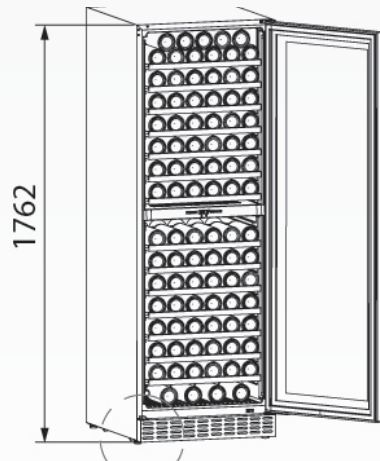
Rangemaster Integrated Fridge Freezer



AGA Wine Coolers



Undercounter Cabinet



Tall Cabinet

Please consult product technical manuals for dimensions and guidelines before installation.





ECO DESIGN 2022

Ecodesign is the European-wide programme to lower emissions to improve air quality from a range of appliances that use energy including stoves and will come into force 1st January 2022. It will apply to both wood burning and solid fuel stoves.

Waterford Stanley is committed to certifying its stoves for Ecodesign 2022. Where you see the below logo on our SOLIS and classic range, they have already been certified for Ecodesign 2022. All our gas, electric and pellet stoves are Ecodesign certified.

What does Ecodesign cover?

- Minimum efficiency rating of 75% for stoves
- Reduction of CO (Carbon monoxide) -88%
- New limit for emissions of NOx
- Introduction in requirements for Particulate matter and organic gaseous compounds

Waterford Stanley



For your way of life



Waterford Stanley Limited

Unit 401-403, Waterford Industrial Estate, Cork Road, Waterford, Ireland.

Phone: 00353 (0) 51 302300

Email: sales@waterfordstanley.com

www.waterfordstanley.com