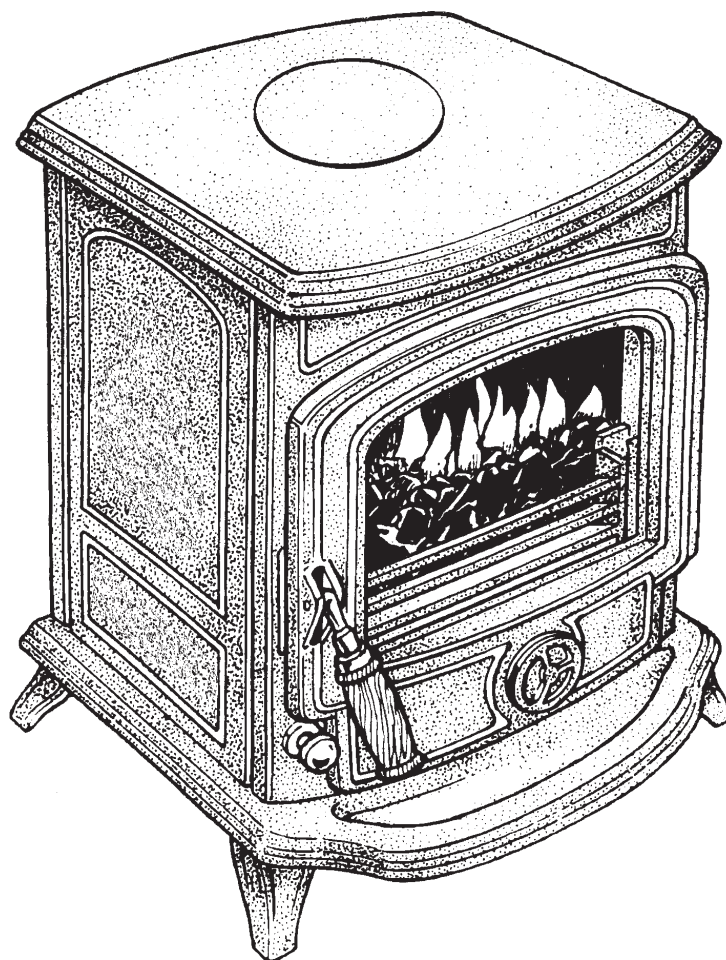




Oscar Solid Fuel Stove



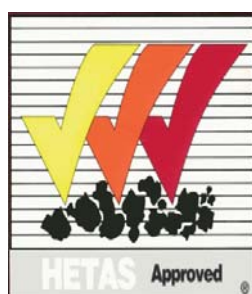
This appliance is hot while in operation and retains its heat for a long period of time after use. Children, aged or infirm persons should be supervised at all times and should not be allowed to touch the hot working surfaces while in use or until the appliance has thoroughly cooled.

When using the stove in situations where children, aged and/or infirm persons are present a fireguard must be used to prevent accidental contact with the stove. The fireguard should be manufactured in accordance with BS 6539.

INSTALLATION AND OPERATING INSTRUCTIONS

TABLE OF CONTENTS

	PAGE NO.
1. General	3
Handling	3
Fire Cement	3
Asbestos	3
Metal Parts	3
2. Pre-Installation Assembly	3
3. Flues	3
4. Chimney	3
5. Top Flue Exit	4
6. Rear Flue Exit	4
7. Down Draughts	5
8. Ventilation & Combustion Air Requirements	5
9. Permanent Air Vent	6
Extractor Fan	6
10. Commissioning & Handover	6
11. Location	6
12. Clearance to Combustibles	6
13. Stove Dimensions	6
14. Floor Protection	6
15. Lighting	6
16. Primary Air Settings	6
17. Recommended Fuels	7
18. Outputs	7
19. Re-Fuelling	7
20. Slow Burning	7
21. Important Notes	8
22. Lighting	9
23. De-Ashing	10
24. Disposal of Ash	10
25. Maintenance	10
26. Chimney Cleaning	10
27. Fire Safety	10
28. Brick Replacement / Removal	10
29. Glass - Cleaning & Replacement	11
30. CO Alarm	11
31. Exploded View	12



OSCAR SOLID FUEL NON-BOILER STOVE INSTALLATION & OPERATING INSTRUCTIONS

NOTE: Please note that it is a legal requirement under England & Wales Building Regulations that the installation of the stove is either carried out under Local Authority Building Control approval or is installed by a Competent Person registered with a Government approved Competent Persons Scheme. HETAS Ltd operate such a Scheme and a listing of their Registered Competent Persons can be found on their website at www.hetas.co.uk.

GENERAL

When installing, operating and maintaining your stove respect basic standards of fire safety. Read these instructions carefully before commencing the installation. Failure to do so may result in damage to persons or property. Consult your local Municipal office and your insurance representative to determine what regulations are in force. Save these instructions for future reference.

Special care must be taken when installing the stove such that the requirements of the Health & Safety at Work Act are met.

Handling

Adequate facilities must be available for loading, unloading and site handling.

Fire Cement

Some types of fire cement are caustic and should not be allowed to come into contact with the skin. In case of contact with the skin wash immediately with plenty of water.

Asbestos

This stove contains no asbestos. If there is a possibility of disturbing any asbestos in the course of installation then please seek guidance and use appropriate protective equipment.

Metal Parts

When installing or servicing this stove care should be taken to avoid the possibility of personal injury.

IMPORTANT WARNING: This stove must not be installed into a chimney that serves any other heating appliance. There must not be an extractor fan fitted in the same room as the stove as this can cause the stove to emit fumes into the room.

The installation must be completed in accordance with current National and European Standards and Local Codes. It should be noted that the requirements and these publications may be superseded during the life of this manual.

PRE-INSTALLATION ASSEMBLY

1. After removing the stove from the packaging, open the fire door and remove all contents from inside.
2. Fit the fire door handle using the screw provided.
3. Remove the stove from the pallet and position it in the final installation position (See Location & Clearance to Combustibles Section).

FLUES

Flues should be vertical wherever possible and where a bend is necessary, it should not make an angle of more than 45° with the vertical. Horizontal flue runs should be avoided except in the case of a back outlet from the appliance, when the length of the horizontal section should not exceed 150mm.

In order to minimise flue resistance and to make sweeping easier it is recommended to use 2 x 45° bends rather than a 90° bend.

The flue termination point must be located to minimise any wind effects. Wind effects of suction, pressure zones and turbulence can be created by the roof and adjacent objects. Wind effects can also be created by natural land contours.

To minimise the wind effects, the flue termination point should be located a minimum of 600mm from the roof measured vertically and 2300mm measured horizontally. Where this termination point does not suffice it may be necessary to extend the flue pipe so that the termination point is above the apex. See Fig.1.

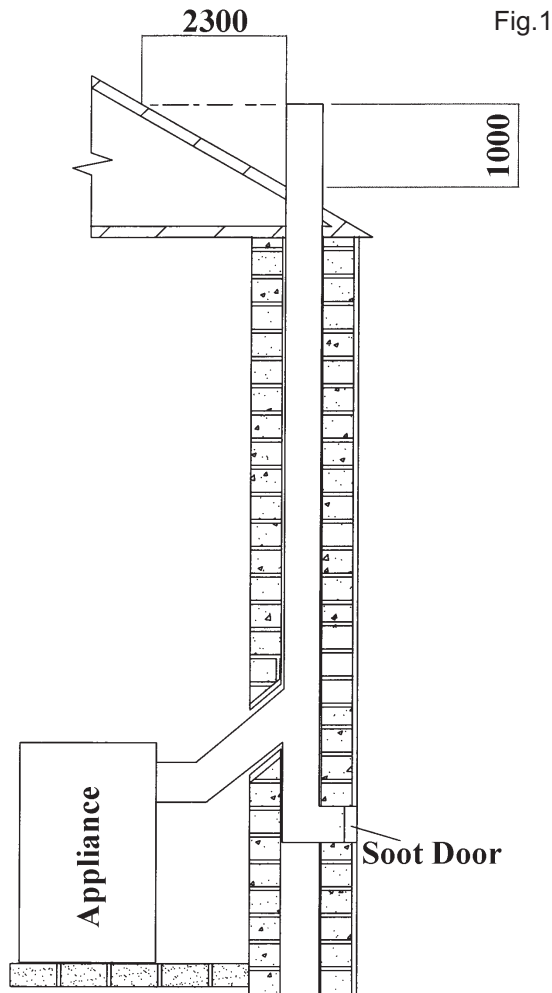


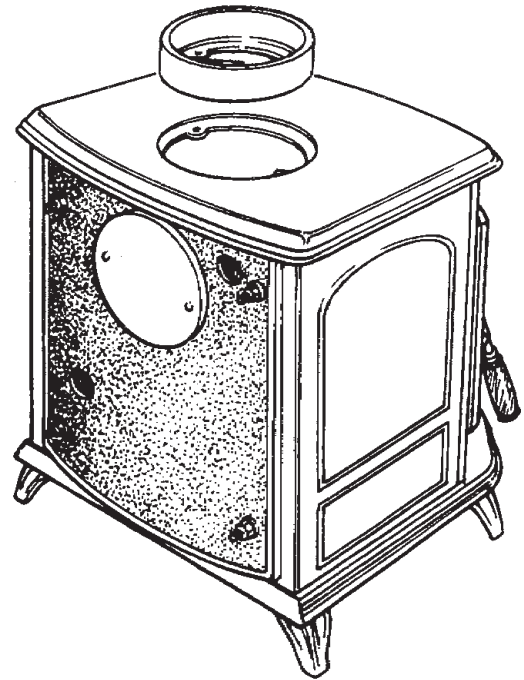
Fig.1

chimney is not available a proprietary type 125 – 150mm twin wall, fully insulated pipe may be used. The pipe must terminate at a point not lower than the main ridge of adjacent outside obstructions. With such installation, access to the chimney must be provided for cleaning purposes. (See Fig.1)

When flue piping passes through a closure plate with a sliding door, ensure that the pipe continues up and is ultimately connected to the flue liner and well sealed with fire cement.

TOP FLUE EXIT

Fig.2



CHIMNEY

The stove is a radiant room heater and must be connected to a chimney of the proper size and type. The chimney must have a cross-sectional area of at least 124cm² or a diameter of at least 125mm. Never connect to a smaller size chimney. Do not connect to a chimney serving another appliance. Minimum chimney height 4.5 meters from floor on which stove is installed.

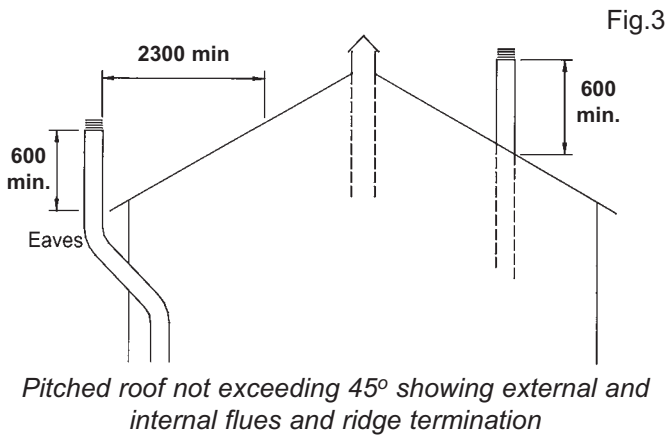
A flue that has proved to be unsatisfactory, particularly with regard to down draught should not be used for venting this appliance until it has been examined and any faults corrected.

An existing masonry chimney should be inspected and if necessary repaired by a competent mason or relined using an approved lining system. The stove must be connected to a chimney with a minimum continuous draught of 12 Pascal's. Poor draught conditions will result in poor performance. All register plates, restrictor plates, damper etc., which could obstruct the flue at a future date should be removed before connecting this appliance. If connecting to an existing chimney with a flue diameter of more than 150mm it is necessary to line the flue using a suitable stainless steel flue liner. Where a masonry

For the top outlet configuration, remove the blanking plate (part no.10) from the hob, remove the flue spigot (part no.11) from the back plate and fix it to the hob. Fix the outlet blanking plate to back plate (see Fig. 2). Push the flue outlet connector pipe (not supplied) into the flue spigot and cement into place using approved fire cement, ensuring that no cement is blocking the flue passageway.

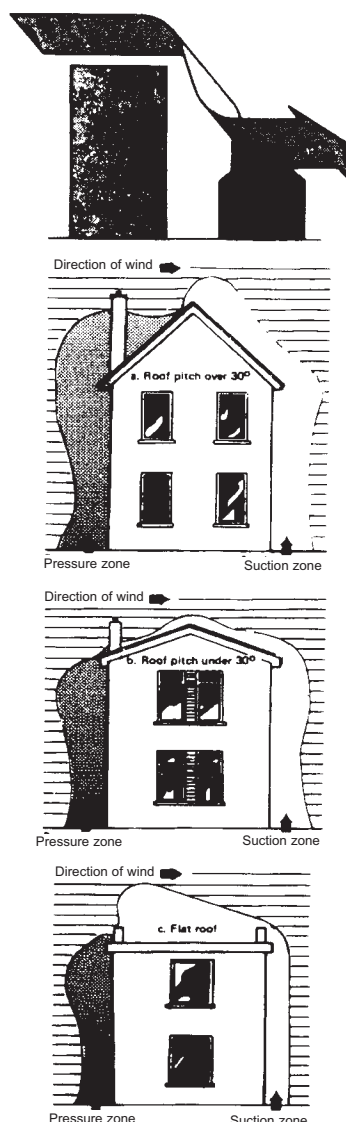
REAR FLUE EXIT

Push the flue connector pipe (not supplied) into the flue spigot and cement into place using approved fire cement ensuring that no cement is blocking the flue passageway.



DOWN DRAUGHTS

However well designed constructed and positioned, the satisfactory performance of the flue can be adversely affected by down draught caused by nearby hills, adjacent tall buildings or trees. These can deflect wind to blow directly down the flue or create a zone of low pressure over the terminal. A suitable anti-down draught terminal or cowl will usually effectively combat direct down blow but no cowl is likely to prevent down draught due to a low pressure zone. (See Fig.4)



VENTILATION AND COMBUSTION AIR REQUIREMENTS

This appliance is rated at 5kW. There is no additional air requirement unless a flue draught stabiliser is fitted then the air requirement is 15cm². When calculating combustion air requirements for this appliance use the following equation: 550mm² per each kW of rated output above 5 kW should be provided, where a flue draught stabiliser is used the total free area shall be increased by 300mm² for each kW of rated output. If there is another appliance using air fitted in the same or adjacent room, it will be necessary to provide an additional air supply. All materials used in the manufacture of air vents should be such that the vent is dimensionally stable, corrosion resistant, and no provision for closure. The effective free area of any vent should be ascertained before installation. The effect of any grills should be allowed for when determining the effective free area of any vent.

Air vents direct to the outside of the building should be located so that any air current produced will not pass through normally occupied areas of the room. An air vent outside the building should not be located less than the dimensions specified within the Building Regulations and B.S. 8303: Part 1 from any part of any flue terminal. These air vents must also be satisfactorily fire proofed as per Building Regulations and B.S. 8303: Part 1.

Air vents in internal walls should not communicate with bedrooms, bedsits, toilets, bathrooms or rooms containing a shower.

Air vents traversing cavity walls should include a continuous duct across the cavity. The duct should be installed in such a manner as not to impair the weather resistance of the cavity.

Joints between air vents and outside walls should be sealed to prevent the ingress of moisture. Existing air vents should be of the correct size and unobstructed for the appliance in use. If there is an extraction fan fitted in adjacent rooms where this appliance is fitted, additional air vents may be required to alleviate the possibility of spillage of products of combustion from the appliance/flue while the fan is in operation. Refer to B.S. 8303 Part 1.

Where such an installation exists, a test for spillage should be made with the fan or fans and other appliances using air in operation at full rate, (i.e. extraction fans, tumble dryers) with all external doors and windows closed.

If spillage occurs following the above operation, an additional air vent of sufficient size to prevent this occurrence should be installed.

PERMANENT AIR VENT

The stove requires an adequate air supply in order for it to operate safely and efficiently. The installer may have fitted a permanent air supply vent into the room in which the stove is installed to provide combustion and/or ventilation air. This air vent should not under any circumstances be shut off or sealed.

Extractor Fan

There must not be an extractor fan fitted in the same room as the stove as this can cause the stove to emit smoke and fumes into the room.

COMMISSIONING & HANDOVER

On completion of the installation allow a suitable period of time for any fire cement and mortar to dry out, when a small fire may be lit and checked to ensure the smoke and fumes are taken from the stove up the chimney and emitted safely to the atmosphere. **Do not run at full output for at least 24 hours.**

On completion of the installation and commissioning ensure that the operating instructions for the stove are left with the customer. Ensure to advise the customer on the correct use of the appliance with the fuels likely to be used on the stove and warn them to use only the recommended fuels for the stove.

Advise the user what to do should smoke or fumes be emitted from the stove. The customer should be warned to use a fire guard to BS 6539 in the presence of children, aged and/or infirm persons.

LOCATION

There are several conditions to be considered in selecting a location for your stove.

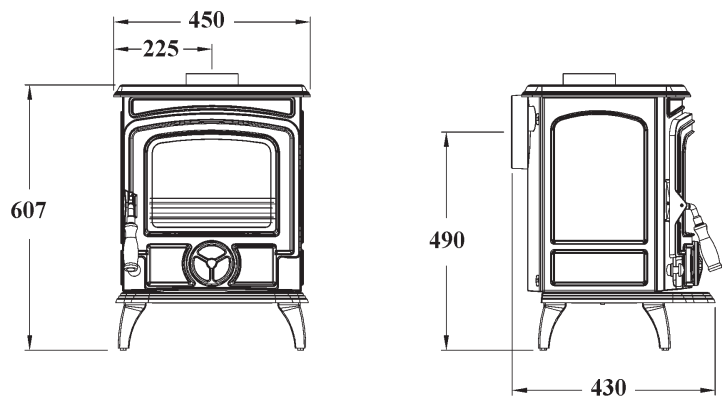
- A. Position in the area to be heated - central locations are usually best. If situated in an alcove, site as far forward as possible, to provide more heat to the room.
- B. Allowances for proper clearances to combustibles.

CLEARANCE TO COMBUSTIBLES

It is recommended that this appliance is sited next to and on a non-combustible surface. A minimum all round clearance of 100mm will allow air circulation and not impede the performance of the stove. If it is necessary to site the stove near to a combustible surface a minimum clearance of 400mm to side walls and 500mm to rear walls must be maintained. The connector may pass through walls or partitions constructed of combustible materials provided the connector is either listed for wall pass-through or is routed through a device listed for a wall pass-through and is installed in accordance with the conditions of the listing. Any unexposed metal that is used as part of a wall pass-through system is exposed to flue gases shall be constructed of stainless steel or other equivalent material that will resist corrosion, softening, or cracking from flue gas at temperatures up to 982°C.

STOVE DIMENSIONS

Fig.5



FLOOR PROTECTION

It is recommended that this appliance is installed on a solid, level, non combustible hearth conforming to current Building Regulations.

LIGHTING

Check that all dampers and catches are operating correctly and ensure that all flue connections are thoroughly sealed. Open the spin valve.

PRIMARY AIR SETTINGS

The spin valve (Part No. 22, located at the bottom end of the door - Part No. 21) controls the primary and window wash air supply to the stove. For maximum heat output and burn rate rotate the spin valve (Part No. 30) fully in an anti-clockwise direction and

for a minimum heat output and burn rate rotate the spin valve clockwise until fully closed. For nominal heat output the spin wheel will need to be open between 1 and 2 turns depending upon the draught of the chimney. You will soon learn spin valve settings to best suit your requirements. (See Fig.6)

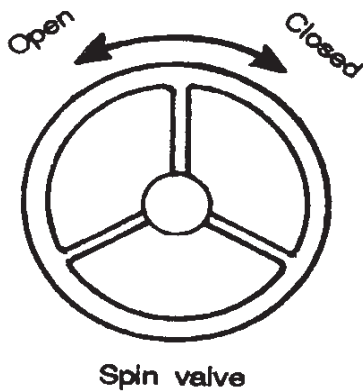


Fig.6

RECOMMENDED FUELS

This appliance has been tested using seasoned wood logs only. Other fuels are commercially available and may give similar results. Do not use fuels with a Petro-coke ingredient as this may cause the grate to overheat, causing damage. Reduced outputs will result when fuels of lower calorific values are used.

All fuels should be stored under cover and kept as dry as possible prior to use.

This stove has obtained HETAS Ltd approval as an intermittent operating appliance for burning natural wood logs only as the recommended fuel. HETAS Approval does not cover the use of other fuels either alone or mixed with the recommended fuel, nor does it cover instructions for the use of other fuels.

OUTPUTS

Nominal heat output

Wood logs 5kW

Typical refuelling intervals to obtain nominal outputs:

1.5 hours wood

Stove Weight:	Gross	Net
	100 kgs	87kgs

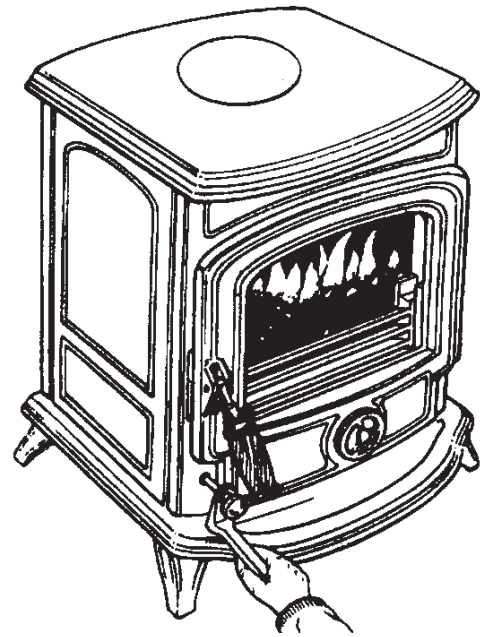
Mean Flue Gas Temp. downstream of spigot at nominal heat output	245°C
---	-------

Flue Gas Mass Flow	3.4 g/s
--------------------	---------

RE-FUELLING

Riddle the fire by connecting the grate operating tool onto the rocker connection located at the bottom front of the stove, then gently pull and push the rocker arm until all dead ash has fallen through into the ashpan. Before opening the door, open the spin valve by turning it anti-clockwise, as this will help to eliminate any smoke or fly ash resident in the combustion chamber. Add fuel to fire, taking care not to overfill higher than the front firebars. Close fire door and re-set spin valve to required setting. Do not operate this appliance with the fire door open. (See Fig.7)

Fig.7



SLOW BURNING

To achieve a low burn rate, close the spin valve fully, then open about half a turn, or less, depending on draught conditions. If the fuel load is too small or the draught too strong the spin valve may need to be closed even further to sustain the low burn rate. This will be found by trial and error by adjusting the amount of air depending upon the amount of fuel left over at the end of the burning period.

IMPORTANT NOTES

Now that your Stanley Solid Fuel stove is installed and no doubt you are looking forward to many comforts it will provide, we would like to give you some tips on how to get the best results from your stove.

1. We would like if you could take some time to read the operating instructions/hints, which we are confident, will be of great benefit to you.
2. Do not burn fuel with a high moisture content, such as a damp peat or unseasoned timber. This will only result in a build up of tar in the stove and in the chimney and the possibility of a chimney fire.
3. **CLEAN THE FLUE-WAYS OF THE STOVE EVERY WEEK AND ENSURE THAT THERE ARE NO BLOCKAGES. CHECK FLUEWAYS BEFORE LIGHTING ESPECIALLY AFTER A SHUT-DOWN PERIOD. PLEASE REFER TO MANUAL FOR INSTRUCTIONS.**
4. Before loading fresh fuel into the firebox, riddle fully to remove all ashes this will allow better and cleaner burning. See Re-Fuelling Section Page 6.
5. Never allow a build up of ashes in the ash pan, as this may cause the grate to burn out prematurely.
6. Avoid long periods of slow burning of damp or unseasoned fuel as this will result in tarring flueways and chimney i.e. peat or timber.
7. Allow adequate air ventilation to ensure plenty of air for combustion.
8. Do not burn rubbish/house hold plastic.
9. Clean the chimney at least twice a year.
10. Burning soft fuels such as timber and peat will stain the glass. Regular cleaning will prevent permanent staining.
11. Keep all combustible materials a safe distance away from the appliance, please see section for clearances to combustibles.
12. For safety reasons never leave children or the elderly unaccompanied while stove is in use. Use a fireguard.
13. Avoid contact with appliance when in use as the stove reaches very high operating temperatures.
14. This appliance should be regularly maintained by a competent service engineer. Use only replacement parts recommended by Stanley. Using unauthorised parts will invalidate your guarantee and may cause damage or injury.

AN ODOUR WILL EMIT FROM STOVE ON FIRST FIRING, WHEN FIRE REACHES MAXIMUM TEMPERATURE OVER A NUMBER OF HOURS THIS ODOUR WILL SUBSIDE. IT IS BEST ADVISED TO OPEN WINDOWS DURING THIS PERIOD.

THIS ODOUR IS UNPLEASANT BUT NOT TOXIC. YOU MAY WISH TO VACATE THE ROOM WHILE THE PAINT CURES.

Before lighting the stove check with the installer that the installation work and commissioning checks described in the installation instructions have been carried out correctly and that the chimney has been swept clean, is sound and free from any obstructions. As part of the stoves commissioning and handover the installer should demonstrate how to operate the stove correctly.

LIGHTING

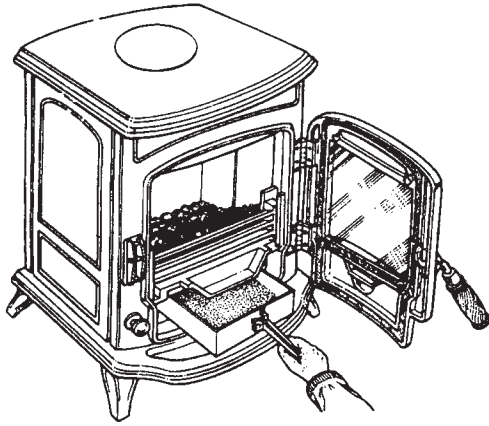
IMPORTANT: The first few fires should be relatively small to permit the refractory to set properly and to season the stove.

1. Before lighting the stove, ensure that any build-up in the firebox has been removed and that the ashpan has been emptied.
2. Open the spin valve (Part No. 22) by turning it anti-clockwise.
3. Lay a few crumpled sheets of paper on the hearth and then a few small sticks, kindling or an approved firelighter.
4. Ignite and close the door.
5. Never use inflammable liquid i.e. gasoline, petrol paraffin etc. to start or freshen up a fire in this heater.
6. When the fire is well established add fuel to the firebox and adjust the spin valve to the required setting. (See Re-Fuelling Section Page 6).
7. To shut the fire down, do not add fuel, make sure that the fire door is properly closed and that the spin valve is firmly shut. Cutting off the air supply will reduce the heat output.

DE-ASHING

Never allow the ashpan to over fill as it will cause damage to the grate. Open the fire door (Part No.21) and remove ashpan (Part No.12) using the operating tool (Part No.34). Close the fire door (Part No. 21). When the ash is disposed of, replace the empty ashpan. (See Fig.8) Do not leave the fire unattended with the fire door open, even for a minute.

Fig. 8



DISPOSAL OF ASH

Ashes should be placed in a metal container with a tight fitting lid. The closed container of ashes should be on a non-combustible floor or on the ground well away from all combustible materials pending final disposal. If the ashes are disposed of by burial in soil or otherwise locally dispersed they should be retained in the closed container until all cinders have thoroughly cooled.

MAINTENANCE

CREOSOTE: Formation and Need for Removal

When some fuels are burned slowly, they produce tar and other organic vapours, which combine with expelled moisture to form creosote. The creosote vapours condense in the relatively cool chimney flue of a slow-burning fire. As a result, creosote residue accumulates on the flue lining. When ignited creosote makes an extremely hot fire.

CHIMNEY CLEANING

Chimney and connector should be cleaned at least twice a year. Once before heating season and once after. The chimney connector and chimney should be inspected at least monthly during the heating season to determine if a creosote build-up has occurred. Remove the cast iron baffle plate (Part No.15a) located at the top end of the firebricks (Part No.s 13 & 14) before chimney cleaning.

When inspecting a masonry chimney, start at the cleanout door, normally found at the base of the chimney, or on the outside. If your chimney does not have a clean-out door one should be provided.

REMEMBER COAL GASES ARE TOXIC.

WARNING NOTE

Properly installed, operated and maintained this stove will not emit fumes into the dwelling. Occasional fumes from de-ashing and re-fuelling may occur. However, persistent fume emission is potentially dangerous and must not be tolerated. If fume emission does persist, then the following immediate action should be taken:

- (a) Open doors and windows to ventilate room
- (b) Let the fire out or eject and safely dispose of fuel from the stove
- (c) Check for flue or chimney blockage and clean if required.
- (d) Do not attempt to relight the fire until the cause of the fume emission has been identified and corrected. If necessary seek expert advice.

The most common cause of fume emission is flue-way or chimney blockage. For your own safety these must be kept clean at all times.

FIRE SAFETY

To provide reasonable fire safety the following should be given serious consideration:

1. The installation of smoke detectors.
2. A conveniently located fire extinguisher to contend with small fires resulting from burning embers.
3. A practical evacuation plan.
4. A plan to deal with a chimney fire as follows:
 - a. Notify the fire department.
 - b. Prepare occupants for immediate evacuation.
 - c. Close all openings into the stove.
 - d. While awaiting the fire department watch for ignition to adjacent combustibles from overhead stove pipe or from embers or from sparks from the chimney.

BRICK REMOVAL / REPLACEMENT

1. Remove fire fence (3 bars).
2. Remove protection plates located on RH & LH side above roof baffle.
3. Lift up roof baffle, remove the front RHS brick, tilting it down from the top edge.
4. While still holding up the roof baffle, remove the front LHS brick, tilting it down from the top edge.
5. Lift the roof baffle forward but do not remove, ensuring that the back brick is fully back against the back casting and pushed fully to the LHS, pull

the back RHS side brick forwards and down, then lift out.

7. Move the back brick fully to the RHS, pull the back LHS side brick fully forward until it meets the stay rod, tilt the brick forwards and down, then lift out.
8. Remove the ashpan and drop fire grate into the ash compartment.
9. Rotate the back brick to allow clearance from sides, and lift out through fire door opening.

GLASS

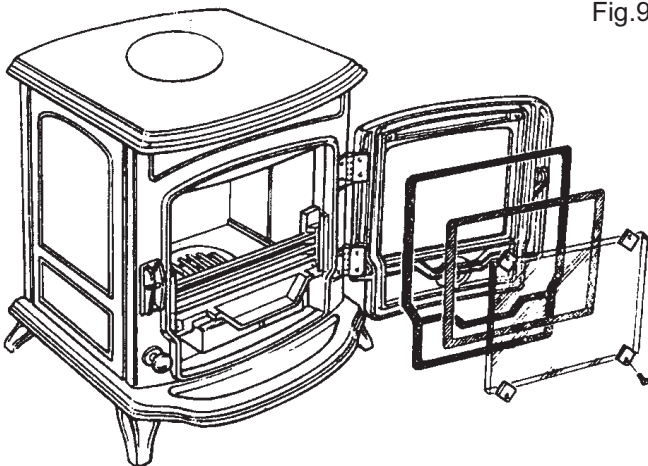
1. How to clean:

The glass will clean itself when there is sufficient heat generated by burning fuel. If a build-up of creosote occurs on the glass it may be due to draft conditions, poor quality fuel or very slow burning for along time. Only clean glass when the stove is thoroughly cooled. Clean with a liquid detergent taking care not to scratch the glass with any coal ash deposits.

2. Glass Replacement: (See Fig.9)

- a. Open the door (Part No.21) fully.
- b. Remove the four corner screws and clips and carefully remove the broken glass.
- c. Clean the glass recess in the door.
- d. Attach adhesive thermal tape to the perimeter of the replacement glass.
- e. Place the thermal tape side of the glass into the door recess and replace the four corner clips.
- f. Tighten screws.
- g. Replace glass only with ceramic glass 5mm thick.

Fig.9



CO ALARM

Waterford Stanley recommend the fitting of a CO Alarm in the same room as the appliance, this is a requirement under UK Building Regulations. Further guidance on the installation of a carbon monoxide alarm is available in BS EN 50292:2002 and from the alarm manufacturers instructions.

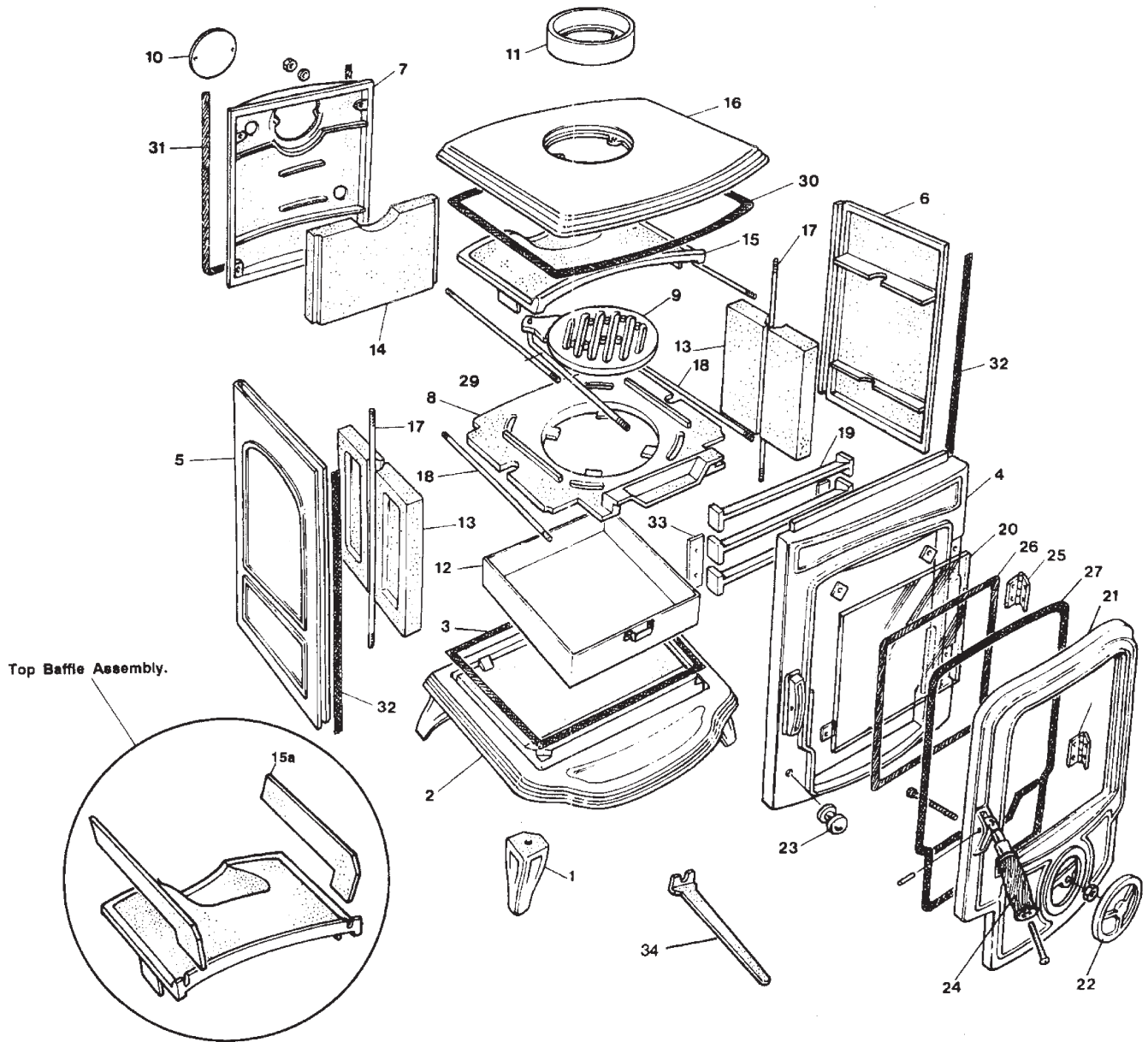
Provision of an alarm must not be considered a substitute for either installing the appliance correctly or ensuring regular servicing and maintenance of the appliance and chimney system.

WARNING:-

If the CO Alarm sounds unexpectedly:-

- 1. Open Doors and windows to ventilate the room and then leave the premises.**
- 2. Let the fire go out.**

OSCAR SOLID FUEL STOVE EXPLODED VIEW



1. Legs	12. Ashpan	22. Spin Valve
2. Base	13. Side Bricks	23. Grate Shaker Control Knob
3. Base Sealing Tape	14. Back Brick	24. Door Handle
4. Front	15. Top Baffle	25. Door Hinges
5. Left Hand Side	15a. Top Protection Baffles	26. Door Glass Sealing Tape
6. Right Hand Side	16. Hob	27. Door Sealing Rope
7. Back Plate	17. Long Tie Bolts	29. Grate Shaker Connecting Rod
8. Grate Base Plate	18. Short Tie Bolts	30. Hob Sealing Rope
9. Grate	19. Fire Fence Bars	31. Back Plate Sealing Rope
10. Blanking Plate	20. Door Glass	32. Side Plate Sealing Rope
11. Flue Spigot	21. Door	33. Fire Fence Retainers
		34. Operating Tool



STANLEY SOLID FUEL STOVE WARRANTY

CONDITIONS OF WARRANTY

Your Stanley Solid Fuel Stove is guaranteed against any part that fails (under normal operating conditions) as detailed in the following table with timelines specified from the date of installation of the appliance. If the unit is not installed within six months of date of purchase, the warranty will commence six months from the date of purchase.

Warranty Period	Parts Covered (Parts & Labour unless Stated)
Up to 1 Year	<ul style="list-style-type: none"> • Refractory materials (supply only) • Rope seals, glass seals and cement seals. • Surface Finish on Seno models. • Grates and fire bars. • Ceramic glass is covered for Thermal breakage (supply only). • Rust (if reported before installation) • Aesthetic Damage (provided reported on date of receipt)
Up to 5 Years	<ul style="list-style-type: none"> • All external castings & enamel finishes (excluding impact damage or damage caused by overfiring). Pictures of damage must be submitted to WS Service Department.
Up to 3 Years	<ul style="list-style-type: none"> • Boiler - A Leaking Boiler Report must be conducted by an Authorised Stanley Service Engineer and submitted to WS Service Department for review.

The warranty is given only to the original consumer/purchaser only and is non-transferable. The appliance must be installed by a suitable qualified person and installed as per the requirements of the manual. Failure to comply with the installation requirements will void your warranty. Waterford Stanley reserve the right to replace any part due to manufacturing defect that fails within the warranty period under the terms of the warranty. The unit must be used for normal domestic purposes only and in accordance with manufacturer's operation instructions.

LIMITS OF LIABILITY

The warranty does not cover:

- * Special, incidental or consequential damages, injury to persons or Property, or any other consequential loss.
- * Any issue caused by negligence, misuse, abuse or circumstances beyond Waterford Stanley's control.
- * Any issue with wear and tear, modification, alteration, or servicing by anyone other than an authorized service engineer.
- * Installation and operational related problems such as draught related issues external to the stove, inadequate venting or ventilation, excessive flue offsets, negative air pressure caused by insufficient burning of improper fuel.
- * Damage caused to the unit while in transit.
- * Enamel discolouration due to over firing, enamel damage caused by impact, damage to baffles caused by over firing and fading of surface finish on casting.
- * Stress fractures on bricks.
- * Rust on cast iron parts unless reported prior to unit being installed.
- * Aesthetic damage, rust & missing parts on units purchased off display.

Note: Adequate clearance must be maintained around the appliance to ensure the ease of part removal in the possible event of their damage/failure. Waterford Stanley are not responsible for any costs incurred in the removal of items installed in the vicinity of the appliance that have to be moved to facilitate a part replacement.

All warranty claims must be reported to the Waterford Stanley Service Department and must be submitted with the product serial number (located on the front casting), date of purchase, proof of purchase (if requested) and details of the specific nature of the problem.

Manufactured by
Waterford Stanley Ltd.,
 Unit 401-403, IDA Industrial Estate, Cork Road,
 Waterford, Ireland.
 Tel: (051) 302300 Fax (051) 302315

