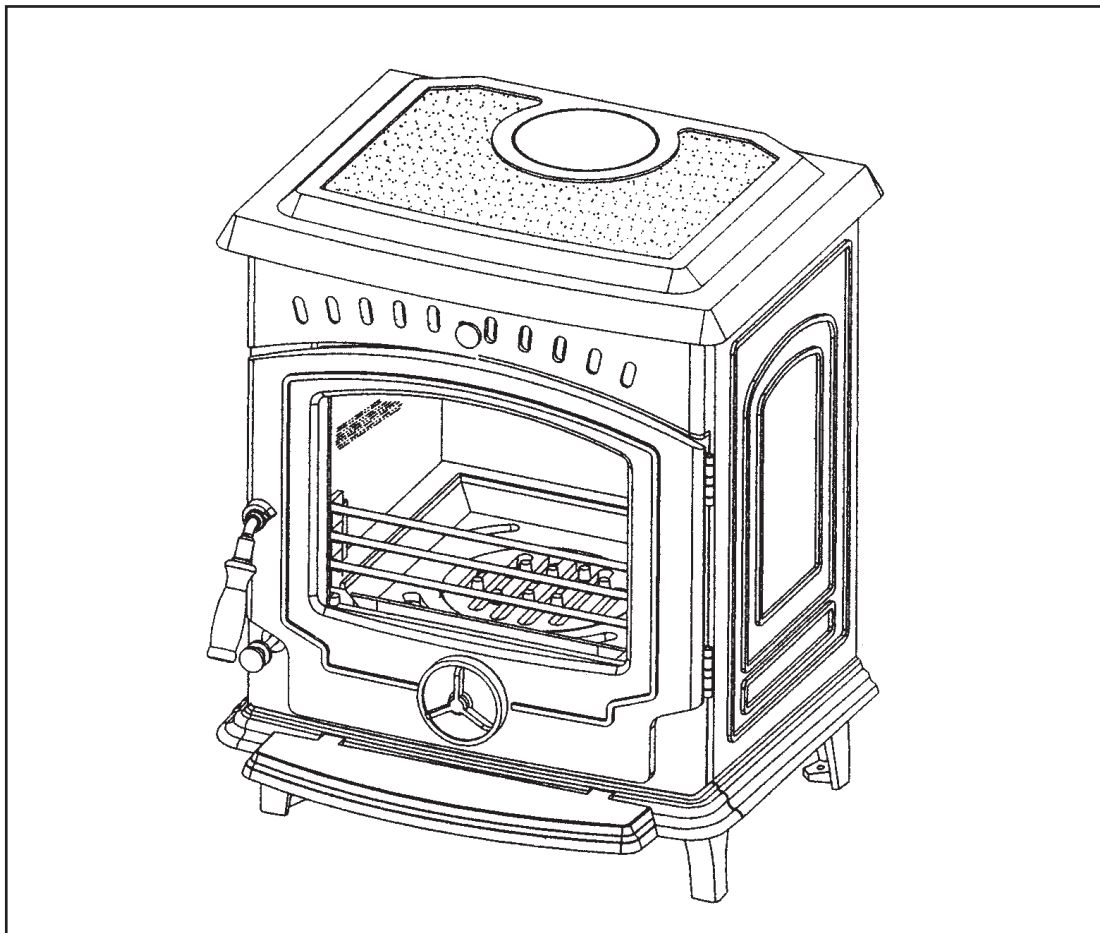

PLEASE RETAIN



Tara Boiler / Non Boiler & DHW Solid Fuel Stove



WARNING: This appliance is hot while in operation and retains its heat for a long period of time after use. children, aged or infirm persons should be supervised at all times and should not be allowed to touch the hot working surfaces while in use or until the appliance has thoroughly cooled.

When using the boiler stove in situations where children, aged and/or infirm persons are present a fire-guard must be used to prevent accidental contact with the stove. The fireguard should be manufactured in accordance with BS 8423:2010.

INSTALLATION AND OPERATING INSTRUCTIONS

TABLE OF CONTENTS

	PAGE NO.
1. Stanley Solid Fuel Stove Warranty	4
2. Installation Checklist	5
3. Important Operation/ Maintenance Notes	6
4. Installation & Operating Instructions	7
5. General	7
6. Pre-Installation Checklist	7
7. Electrical Connections	7
8. Flues	8
9. Chimney	8
10. Flue Exit - Top and Rear	8
11. Down Draughts	9
12. Ventilation & Combustion Air Requirements	10
13. External Ducted Air	11
14. Heat Recovery Ventilation (HRV)	11
15. Location	12
16. Clearance to Combustibles	12
17. Floor Protection	12
18. Water Pipe Location	12
19. Plumbing (Boiler Model)	13
20. Pipe Thermostat	13
21. Regulations	13
22. Gravity Circuit	13
23. Injector Tee	14
24. Water Circuit Temperature	14
25. Plumbing (DHW Model)	15
26. Direct Domestic Cylinder	15
27. Indirect Domestic Cylinder	15
28. Stove Dimensions	16
29. Commissioning and Handover	17
30. Operation	17
31. Air Controls	17
32. Recommended Fuels	18
33. Technical Data	18
34. Lighting	19
35. User Instructions	19
36. Lighting The Stove	19
37. Refuelling	19

TABLE OF CONTENTS

	PAGE NO.
38. Slow Burning	19
39. De-Ashing	19
40. Disposal of Ashes	19
41. Monthly Maintenance	20
42. Periodic Maintenance	20
43. Adjust Door Catch	20
44. Chimney Cleaning	21
45. Glass Cleaning	21
46. Vitreous Enamel Cleaning	21
47. Cleaning a Matt Black/ Senotherm Stove	21
48. Frozen System	21
49. Prolonged Periods of Non Use	21
50. Fire Safety	22
51. Glass Replacement	22
52. CO Alarm	22
53. Exploded View - HPB Stove	23
54. Exploded View - NB Stove	24
55. Exploded View - DHW Stove	25
56. Trouble Shooting	26



STANLEY SOLID FUEL STOVE WARRANTY

CONDITIONS OF WARRANTY

Your Stanley Solid Fuel Stove is guaranteed against any part that fails (under normal operating conditions) as detailed in the following table with timelines specified from the date of installation of the appliance. If the unit is not installed within six months of date of purchase, the warranty will commence six months from the date of purchase.

Warranty Period	Parts Covered (Parts & Labour unless Stated)
Up to 1 Year	<ul style="list-style-type: none">Refractory materials (supply only)Rope seals, glass seals and cement seals.Surface Finish on Seno models.Grates and fire bars.Ceramic glass is covered for Thermal breakage (supply only).Rust (if reported before installation)Aesthetic Damage (provided reported on date of receipt)
Up to 5 Years	<ul style="list-style-type: none">All external castings & enamel finishes (excluding impact damage or damage caused by overfiring). Pictures of damage must be submitted to WS Service Department.
Up to 3 Years	<ul style="list-style-type: none">Boiler - A Leaking Boiler Report must be conducted by an Authorised Stanley Service Engineer and submitted to WS Service Department for review.

All warranty claims must be reported to the Waterford Stanley Service Department and must be submitted with the product serial number (located on the base casting), date of purchase, proof of purchase (if requested) and details of the specific nature of the problem.

The warranty is given only to the original consumer/purchaser only and is non transferable. The appliance must be installed by a suitable qualified person and installed as per the requirements of the manual. Failure to comply with the Installation Requirements or Building Regulation requirements will void your warranty. Waterford Stanley reserve the right to replace any part due to manufacturing defect that fails within the warranty period under the terms of the warranty. The unit must be used for normal domestic purposes only and in accordance with manufacturer's operation instructions.

LIMITS OF LIABILITY

The warranty does not cover:

- * Special, incidental or consequential damages, injury to persons or Property, or any other consequential loss.
- * Any issue caused by negligence, misuse, abuse or circumstances beyond Waterford Stanley's control.
- * Any issue with wear and tear, modification, alteration, or servicing by anyone other than an authorized service engineer.
- * Installation and operational related problems such as draught related issues external to the stove, inadequate venting or ventilation, excessive flue offsets, negative air pressure caused by insufficient burning of improper fuel.
- * Damage caused to the unit while in transit.
- * Enamel discolouration due to over firing, enamel damage caused by impact, damage to baffles caused by over firing and fading of surface finish on casting.
- * Stress fractures on bricks.
- * Rust on cast iron parts unless reported prior to unit being installed.
- * Aesthetic damage, rust & missing parts on units purchased off display.

Note: Adequate clearance must be maintained around the appliance to ensure the ease of part removal in the possible event of their damage/failure. Waterford Stanley are not responsible for any costs incurred in the removal of items installed in the vicinity of the appliance that have to be moved to facilitate a part replacement.

INSTALLATION CHECK LIST

Flue System

Tick

1. Minimum Flue Height of 4.6 metres (15 feet).
2. Appliance should be connected to a minimum of 1.8 metres (6 feet) of 150mm (6") flue pipe.
3. The horizontal flue run should not exceed 150mm (6")
4. All flue pipework passing through walls must be sleeved & adequately insulated in line with current Building Regulations.
5. Appliance should be connected to a chimney of less than 200mm (8") in diameter (otherwise the chimney must be lined with a 6" flue liner).
6. The chimney venting position must be above the main ridge of the roof or adjacent outside obstructions.
7. The chimney serving this appliance should not serve any other appliance.
8. Access should be provided to the chimney serving the appliance to allow for cleaning.
9. It is a requirement by Building Regulations to have a carbon monoxide alarm fitted to any room with a solid fuel appliance.

Location

10. Clearance to combustible materials must be adhered to as described in the Clearance to Combustible section.
11. The stove must be installed on a floor protector that covers the area under the stove and extends 18" to the front, 5" to back and 5" to the sides.
12. Clearance must be maintained to allow for maintenance and part replacement.

Ventilation & Combustion Air Requirements

13. The room in which the appliance is located should have an air vent of adequate size to support correct combustion (see Ventilation & Combustion Air Requirement Section for specific details).
14. The stove must not be installed in the same room as an extractor fan.

Plumbing and Electrical Requirements

15. All plumbing and electrical work associated with the appliance must be conducted in accordance with current Building Regulations, Maintenance Instructions and Best Practice Guidelines.



IMPORTANT OPERATION / MAINTENANCE NOTES

Now that your Stanley Solid Fuel Stove is installed and no doubt you are looking forward to many comforts it will provide, we would like to give you some tips on how to get the best results from your stove.

1. We would like if you could take some time to read the operating instructions/hints, which we are confident, will be of great benefit to you.
2. Do not burn fuel with a high moisture content, such as a damp peat or unseasoned timber. This will only result in a build up of tar in the stove and in the chimney.

FUEL CALORIFIC VALUES - SOLID FUELS		
Anthracite 25-50mm	C.V.: 8.2kW/Kg	14,000 BTUs/lb
House Coal 25-75mm	C.V.: 7.2kW/Kg	12,000 BTUs/lb
Timber - Firebox size	C.V.: 5.0kW/Kg	8,600 BTUs/lb
Peat Briquettes	C.V.: 4.8kW/Kg	8,300 BTUs/lb

3. **IMPORTANT:** The first few fires should be relatively small to permit the refractory to set properly and season the stove. During these firings it is recommended to ventilate the room as an unpleasant (not toxic) odour may be emitted as the paint is completing curement.
4. **Inspect the flue-ways of the stove weekly and ensure that there are no blockages. Check flue ways before lighting especially after a shut down period. Please see chimney cleaning section.**
5. Before loading fresh fuel into the firebox, riddle fully to remove all ashes. This will allow better and cleaner burning. See Re-Fuelling section.
6. Never allow a build up of ashes in the ash pan, as this will cause the grate to burn out prematurely. Empty the ashpan when refuelling.
7. Avoid slow burning of damp or unseasoned fuel as this will result in tarring flue ways and chimney i.e. peat or timber.
8. Allow adequate air ventilation to ensure plenty of air for combustion.
9. Do not burn rubbish/household plastic.
10. Clean the chimney at least twice a year.
11. Burning soft fuels such as timber and peat will stain the glass. Regular cleaning will prevent permanent staining. Clean with soapy water when cool.
12. Keep all combustible materials a safe distance away from unit, please see section for clearances to combustibles.
13. Never use aerosol spray near the appliance when it is in operation.
14. For safety reasons never leave children or the elderly unaccompanied while stove is in use. Use a fire guard.
15. Avoid contact with the appliance when in use as stove reaches very high operating temperatures.
16. This appliance should be regularly maintained by a competent service engineer.

TARA SOLID FUEL CENTRAL HEATING STOVE INSTALLATION & OPERATING INSTRUCTIONS

GENERAL

When installing, operating and maintaining your Tara Stove respect basic standards of fire safety. Read these instructions carefully before commencing the installation. Failure to do so may result in damage to persons and property. Consult your local Municipal office and your insurance representative to determine what regulations are in force. Save these instructions for future reference.

Please note that it is a legal requirement under England & Wales Building Regulations that the installation of the stove is either carried out under Local Authority Building Control approval or is installed by a Competent Person registered with a Government approved Competent Persons Scheme. HETAS Ltd operate such a scheme and a listing of their Registered Competent Persons can be found on their website at www.hetas.co.uk.

Special care must be taken when installing the stove such that the requirements of the Health & Safety at Work Act are met.

Handling

Adequate facilities must be available for loading, unloading and site handling.

Fire Cement

Some types of fire cement are caustic and should not be allowed to come into contact with the skin. In case of contact with the skin wash immediately with plenty of water.

Asbestos

This stove contains no asbestos. If there is a possibility of disturbing any asbestos in the course of installation then please seek specialist guidance and use appropriate protective equipment.

Metal Parts

When installing or servicing this stove care should be taken to avoid the possibility of personal injury.

“IMPORTANT WARNING”

This stove must not be installed into a chimney that serves any other heating appliance.

The complete installation must be done in accordance with current Standards and Local Codes. It should be noted that the requirements and these publications may be superseded during the life of this manual.

Please refer to the current standards, BS EN 15287-1:2007 Design, Installation and Commissioning of chimneys. BS EN 14336:2004: Heating Systems in Buildings. Installation & Commissioning of Water Based Heating Systems. BS EN 12828: 2003; Heating Systems in Buildings. Design of Water Based Heating Systems. BS EN 12831: 2003; Heating Systems in Buildings. method for calculation of the design heat load.

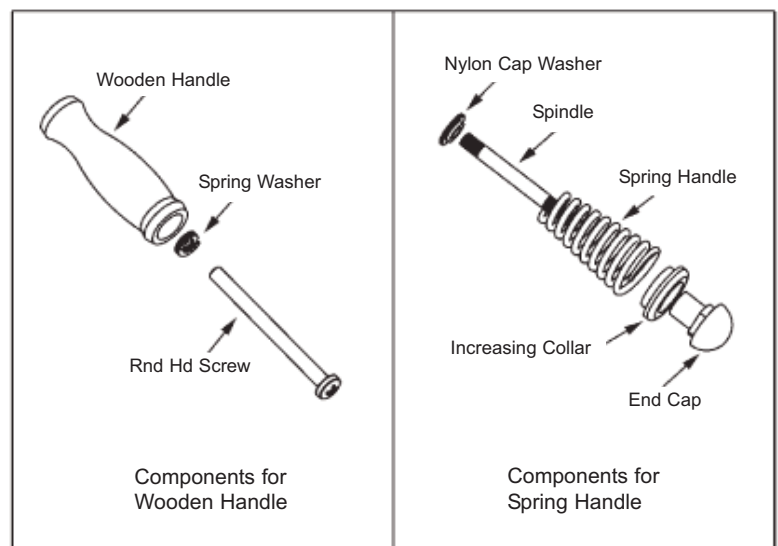
PRE-INSTALLATION ASSEMBLY

1. After removing the stove from its packaging, open the fire door and remove all contents from the ashpan.
2. Fit the fire door handle by screwing into the fire door axle (see Fig. 1).
3. Remove the stove from the pallet and position it in the final installation position (see location and clearance to combustibles).

Your Tara stove is supplied with:

- Timber handle or Black Spring Handle Assembly (Cream Only)
- Glove (Cream Only)
- Ashpan
- Operating Tool
- Ashtray
- Touch-up Paint (Enamel Only)
- Installation and Operation Manual

Fig.1



ELECTRICAL CONNECTIONS

The installation of any electrical services during the installation of this stove must be carried out by a registered competent electrician and in accordance with the requirements of the latest issue of BS 7671.

FLUES

Flues should be vertical wherever possible and where a bend is necessary, it should not make an angle of more than 45° with the vertical. Horizontal flue runs should be avoided except in the case of a back outlet appliance, when the length of the horizontal section should not exceed 150mm.

CHIMNEY

Do not connect to a chimney serving another appliance.

The Tara stove is a radiant room heater and must be connected to a chimney of the proper size and type.

The chimney must have a cross-sectional area of at least 30 square inches 19350sq. mm or a diameter of at least 6" (150mm). It is best to connect to a chimney of the same size, as connection to a larger size may result in a somewhat less draught.

A flue that has proved to be unsatisfactory, particularly with regard to down draught should not be used for venting this appliance until it has been examined and any faults corrected. An existing masonry chimney should be inspected and if necessary repaired by a competent mason or relined using an approved lining system.

The stove must be connected to a chimney with a minimum continuous draught of 0.06 w.g. Poor draught conditions will result in poor performance.

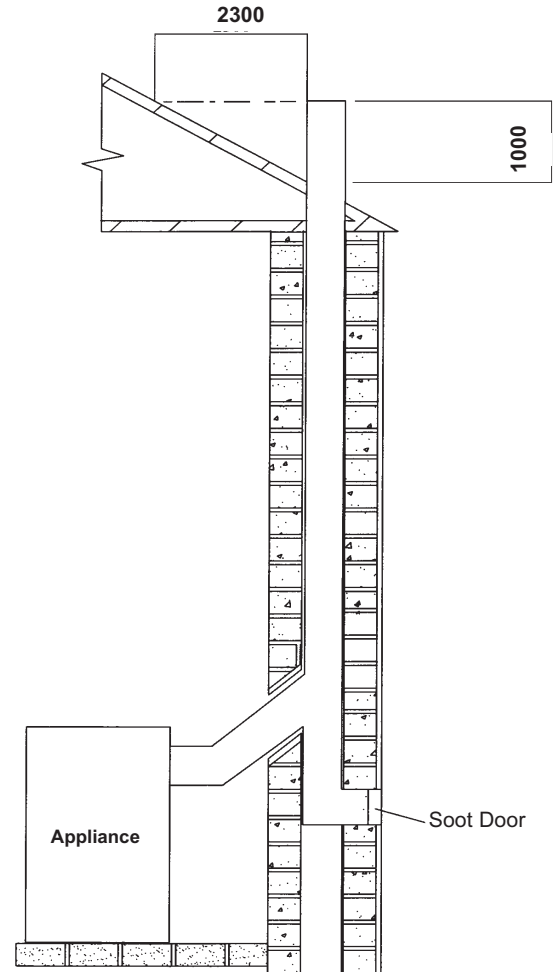
All register plates, restricter plates, damper etc., which could obstruct the flue at a future date should be removed before connecting this appliance.

If connecting to an existing chimney with a flue diameter of more than 8" it is recommend to line the flue using a suitable stainless steel flue liner.

Where a masonry chimney is not available a proprietary type of 6"/150mm - twin wall, fully insulated pipe may be used. The pipe must terminate at a point not lower than the main ridge of adjacent outside obstructions. With such installation, access to the chimney must be provided for cleaning purposes.

A chimney / flue termination must be located to minimise wind effects, a basic guide is that the distance from the termination to the roof should be at least 2300mm when measured horizontally and at least 1000mm when measured vertically, (see Fig.2). In circumstances where there are adjoining buildings/ structures/ roof openings there are additional requirements, please refer to building regulations part J.

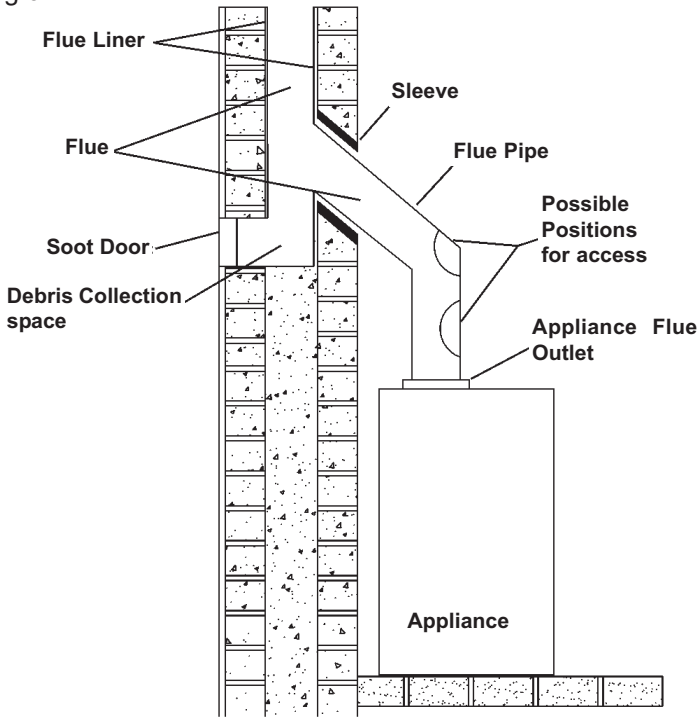
Fig 2



FLUE EXIT (TOP & REAR)

The stove is designed to allow the chimney be cleaned through the stove. If the chimney cannot be cleaned through the stove it is necessary to provide a soot box/access door in the flue for cleaning. See Fig.3 for recommended locations.

Fig.3



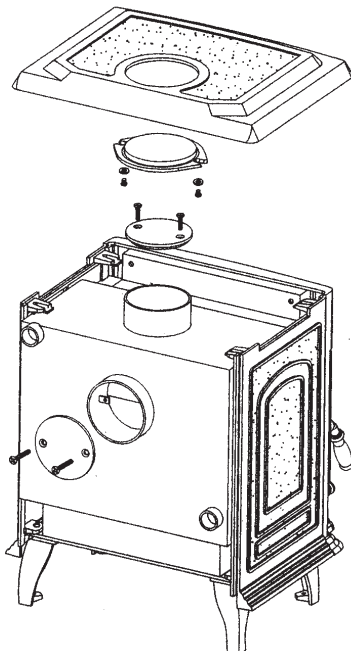
TOP FLUE EXIT

For top outlet configuration remove the hob from the top of the stove, turn the hob upside down and place it on the floor, taking care not to damage it. Remove the hob blanking plate by unscrewing the two screws from underneath the hob.

Next remove the flue blanking plate from the top of the stove by unscrewing the two screws, connect this blanking plate to the rear flue outlet at the back of the stove. Replace the hob in the correct position.

Connect the connector pipe (not supplied) into the top flue outlet socket at the top of the stove and cement into place using approved fire cement ensuring that no cement blocks the flue passageway. (See Fig. 4)

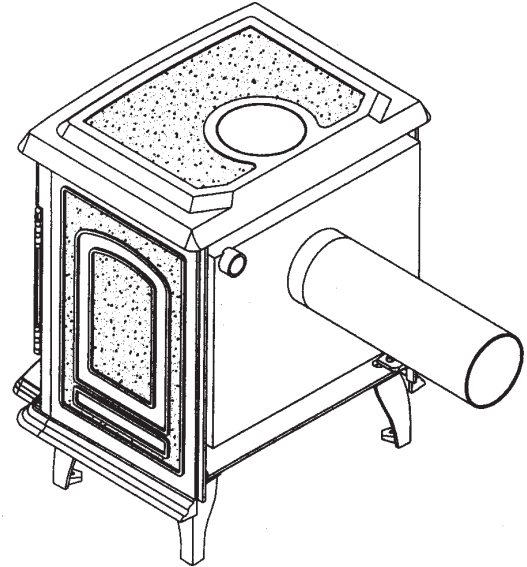
Fig 4



REAR FLUE EXIT

For rear flue outlet configuration push in flue connector pipe (not supplied) into flue outlet socket at the rear of the stove and cement into place using approved fire cement ensuring that no cement blocks the flue passageway. (See Fig. 5)

Fig. 5

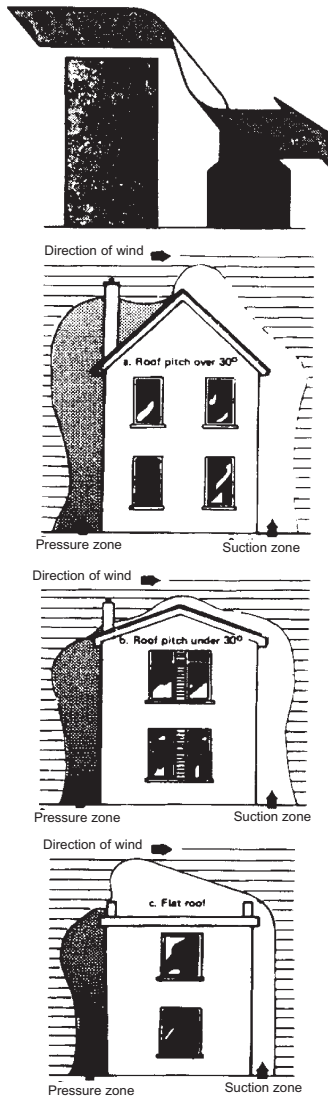


DOWN DRAUGHTS

However well designed constructed and positioned, the satisfactory performance of the flue can be adversely affected by down draught caused by nearby hills, adjacent tall buildings or trees. These can deflect wind to blow directly down the flue or create a zone of low pressure over the terminal.

A suitable terminal or cowl will usually effectively combat direct down blow but no cowl is likely to prevent down draught due to a low pressure zone. (See Fig.6)

Fig.6



Note:

There must not be an extractor fan fitted in the same room as the stove as this can cause the stove to emit smoke and fumes into the room.

VENTILATION & COMBUSTION AIR REQUIREMENTS

It is imperative that there is sufficient air supply to the stove in order to support correct combustion. The air supply to this appliance must comply with current Building Regulations Part J, Heat Providing Appliances. If another appliance is fitted in an adjacent room it will be necessary to calculate an additional air supply.

The minimum effective air requirement for this appliance is 67cm². When calculating combustion air requirements for this appliance use the following equation:

550mm² per each kw of rated output above 5kw should be provided, where a flue draught stabiliser is used the total free area shall be increased by 300mm² for each kw of rated output.

All materials used in the manufacture of air vents should be such that the vent is dimensionally stable, corrosion resistant, and no provision for closure.

The effective free area of any vent should be ascertained before installation. The effect of any grills should be allowed for when determining the effective free area of any vent.

Air vents should be positioned so that they are not liable to blockage.

Air vents direct to the outside of the building should be located so that any air current produced will not pass through normally occupied areas of the room.

An air vent outside the building should not be located less than the dimensions specified within the Building Regulations and B.S. 8303: Part 1 from any part of any flue terminal. These air vents must also be satisfactorily fire proofed as per Building Regulations and B.S. 8303: Part 1.

Air vents in internal walls should not communicate with bedrooms, bedsits, toilets, bathrooms or rooms containing a shower. Air vents traversing cavity walls should include a continuous duct across the cavity. The duct should be installed in such a manner as not to impair the weather resistance of the cavity.

Joints between air vents and outside walls should be sealed to prevent the ingress of moisture. Existing air vents should be of the correct size and unobstructed for the appliance in use.

If there is an extraction fan fitted in adjacent rooms where this appliance is fitted, additional air vents may be required to alleviate the possibility of spillage of products of combustion from the appliance/flue while the fan is in operation. Refer to B.S. 8303 Part 1.

Where such an installation exists, a test for spillage should be made with the fan or fans and other appliances using air in operation at full rate, (i.e. extraction fans, tumble dryers) with all external doors and windows closed.

If spillage occurs following the above operation, an additional air vent of sufficient size to prevent this occurrence should be installed.

Especially Airtight Properties:-

If the stove is being fitted in a property where the design air permeability is less than 5m³ / (h.m²) (normally newer properties built from 2006), then a permanent ventilation must be fitted to provide 550mm² of ventilation for each kW of rated output. If a draught stabiliser is also fitted then the requirement is 850mm² per kW of rated output.

EXTERNAL DUCTED AIR

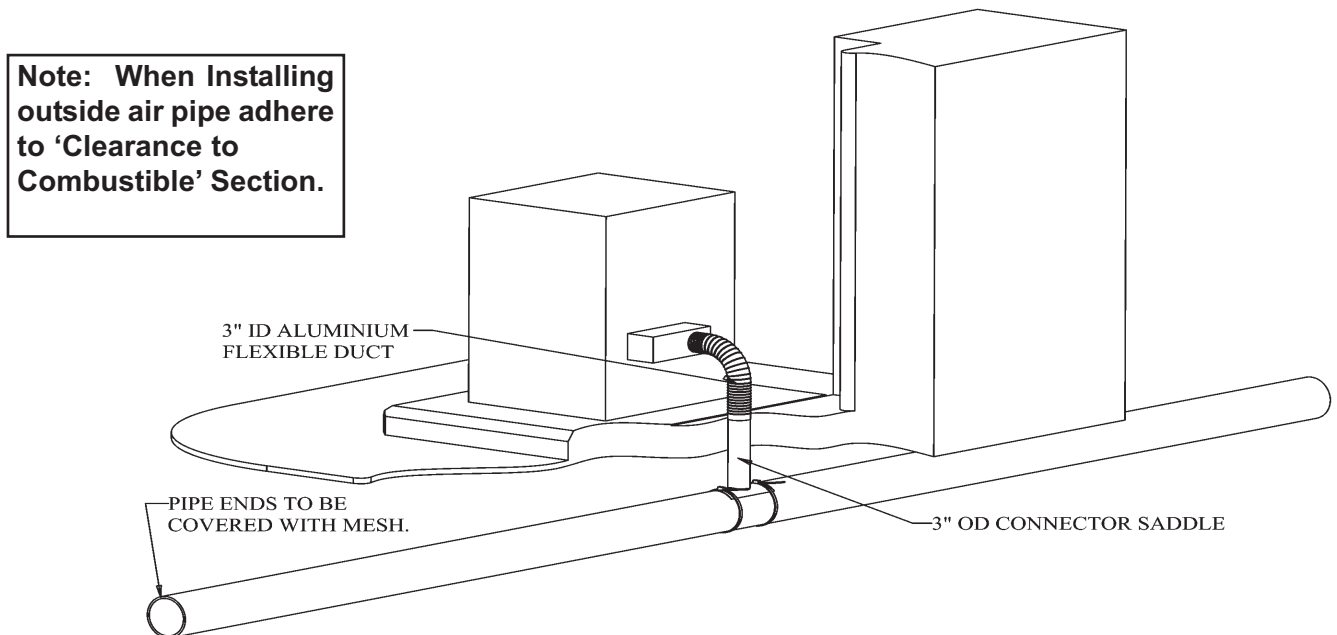
An outside air kit complete with primary air supply can be ducted from outside and is available to order for connection to the stove.

It is recommended to bring the air supply for the stove into the house using a 4" plastic pipe. Where the pipe meets the outside wall make sure a vent cover is fitted properly to ensure no rodents can enter via the vent pipe.

The vent pipe should be located to prevent the ingress of moisture and in a location where it will not get blocked with leaves or any other debris. As wind effects can create suction and pressure zones on opposite sides of the dwelling it is recommended to run the air vent from opposite poles (North, South, East & West) of the dwelling and tee off for the air supply to the stove. This should negate the effect of suction and pressure zones. See Fig.7.

'HETAS product approval covers this appliance when installed in accordance with the manufacturer's instructions and relevant standards. As there is currently no standard for Ducted Combustion Air Supply this does not fall within the remit for HETAS product approval. Responsibility for the specification of this and for appropriate manufacturer's instructions is carried by the appliance manufacturer, as allowed for under the Building Regulations.'

Fig.7



HEAT RECOVERY VENTILATION

Where a stove is to be installed in a dwelling with *Heat Recovery Ventilation* (HRV) a number of precautionary measures must be undertaken:

Should for example the delivery fan in the HRV unit fail and the extraction fan in HRV fan continue to run the HRV may create a pressure less than atmospheric, this low pressure will effect the flue pressure which is required to safely evacuate the products of combustion from the stove.

1. Fit an adequately sized vent in the room to prevent pressure less than atmospheric occurring. The size should be established by closing all windows and doors and then creating the possible failure situation. Then open a window in the room where the stove is fitted, slowly until the pressure reaches atmospheric. The size of the window opening should be measured and a vent of the corresponding size installed.
2. Fit a CO Alarm which has been approved to EN 50291.

LOCATION

There are several conditions to be considered in selecting a location for your Stanley Tara Stove.

- Position in the area to be heated, central locations are usually best.
- Allowances for proper clearances to combustibles.
- Allowances for proper clearances for maintenance work.

CLEARANCE TO COMBUSTIBLES

Maintain at least the following clearances to all combustible material:

Clearance to combustible materials (Boiler Model)

From the front	915 mm (36")
From the sides	155mm (6")
From the back	155mm (6")
From the flue pipe	610 mm (24")

Clearance to combustible materials (Non Boiler Model)

From the front	915 mm (36")
From the sides	510mm (20")
From the back	380mm (15")
From the flue pipe	610 mm (24")

Clearance to combustible materials (DHW Boiler Model)

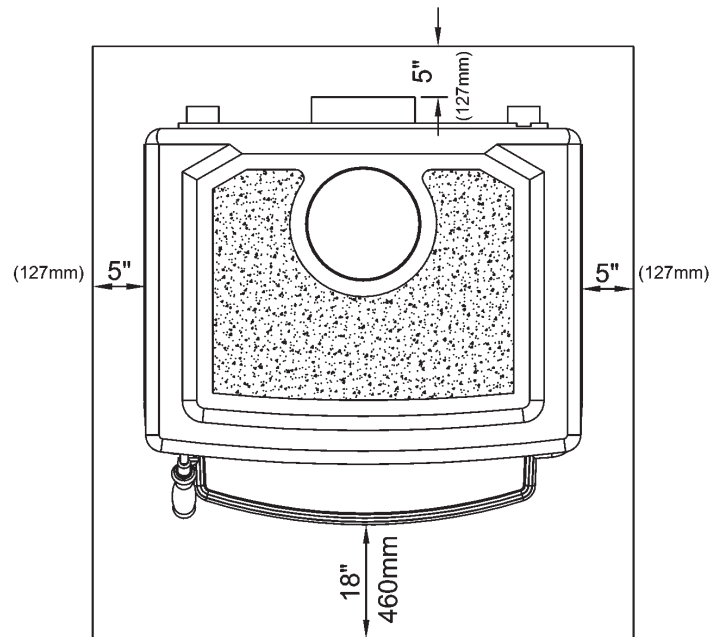
From the front	915 mm (36")
From the back	225 mm (9")
From the sides	585 mm (23")
From the flue pipe	610 mm (24") straight up only

It is recommended that the appliance is sited next to and on a non-combustible surface. A minimum all round clearance of 150mm will allow air circulation and will not impede the performance of the stove.

FLOOR PROTECTION

When installing this heater on a combustible floor, a floor protector consisting of a layer of non combustible material at least 310mm thick covered with "1/8 sheet metal" is required to cover the area under the heater and extend at least 460mm at the front, 127mm to the sides and rear. This will provide protection from sparks and embers which may fall out from the door when stoking or refuelling. See Fig.8.

Fig.8



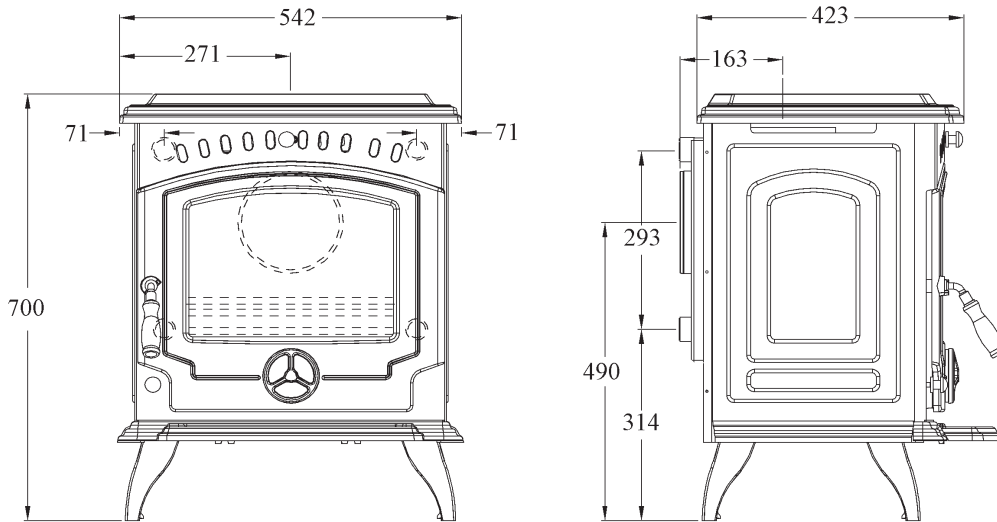
WATER PIPE LOCATIONS

Flue outlet to suit 150mm (6") internal diameter flue pipe.

Water connection 25mm (1") BSP

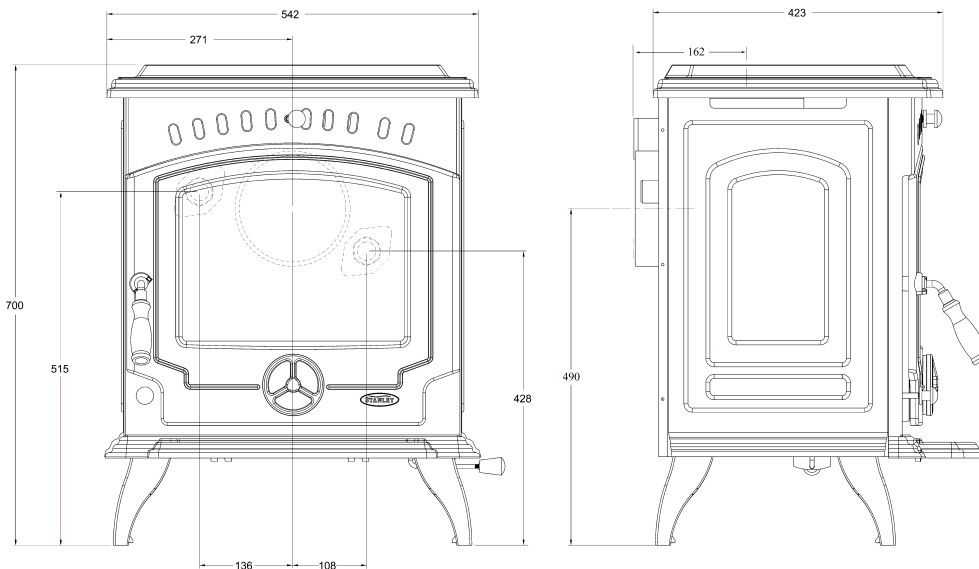
BOILER MODEL

Fig. 9



DHW MODEL

Fig. 10



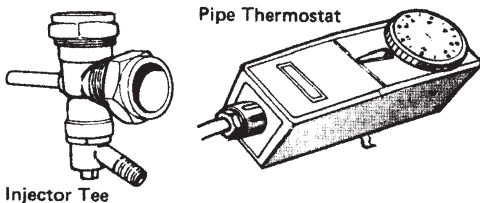
PLUMBING (BOILER MODEL)

PIPE THERMOSTAT

The fitting of a pipe thermostat to the flow pipe is essential in order to activate the water circulation pump when the water reaches the selected temperature.

When the water temperature falls below the selected temperature the pipe thermostat will cut off the water circulation pump in order to allow the boiler to recover.

Fig.12



REGULATIONS

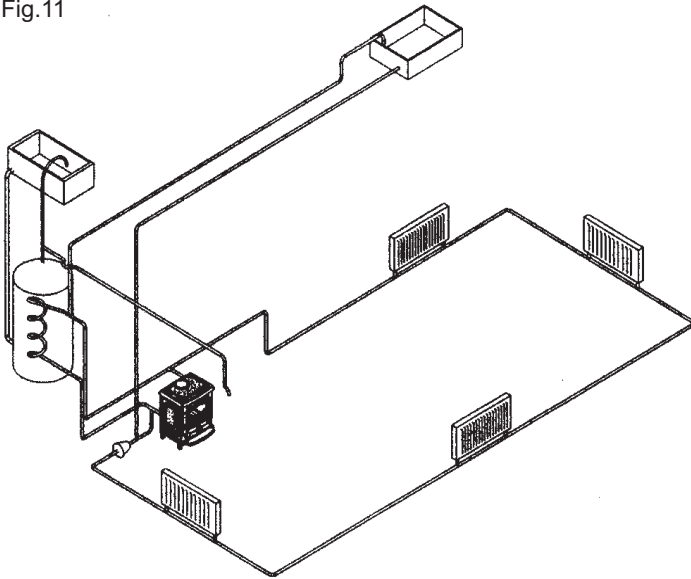
The plumbing must be in accordance with all relevant regulations and practices. It must include a gravity circuit with expansion pipe, open to the atmosphere. The central heating will normally be pump-driven as with other types of boilers.

GRAVITY CIRCUIT

The gravity circuit consists of the domestic hot water tank of 135 litres indirect cylinder, fixed in an upright position, recommended for hot water storage and it should be connected to the boiler by 28mm diameter flow and return piping. The pipes should not exceed 7.8 meters (25ft) in length and cylinder and pipework should be fully lagged. The shorter the run of pipe work the more effective the water heating.

There must be no gate valves on this circuit and it must have an expansion pipe exhausting to atmosphere. Cylinder and pipe work should be lagged to minimise heat loss, fig. 11 illustrates the basic principal of water heating system and must not be regarded as a working drawing.

Fig.11



INJECTOR TEE

Where the gravity and central heating circuits join together to return to the stove we recommend the use of an injector tee connection, situated as close to the unit as possible. This type of tee encourages a stable flow of water through both circuits and helps to prevent priority being given to the stronger flow, which is most commonly the pumped central heating circuit.

This way, there will be no shortage of hot water to the taps when the heating is on. Where the appliance is to be interlinked with another boiler it will be necessary to use a double feed indirect cylinder in accordance with BS1366 (See Fig. 13 for an illustration).

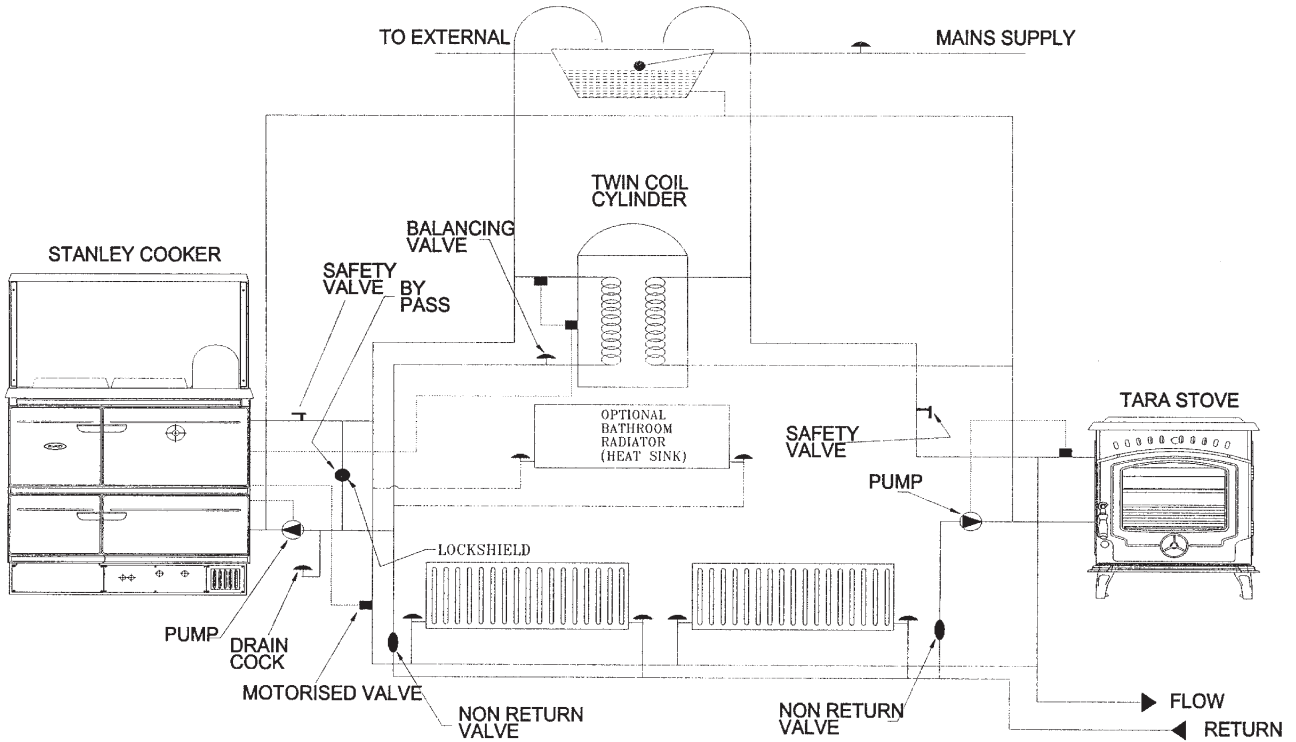
WATER CIRCUIT TEMPERATURE

The return water temperature should be maintained at not less than 40°C so as to avoid condensation on the boiler and return piping. Fitting a pipe thermostat to the flow pipe of the gravity circuit and wiring it into the pump control will ensure rapid circulation of the hot water.

In some circumstances it may be possible to overheat the appliance and the water inside will boil. This will be evident by the sound of a knocking noise coming from the appliance and pipes around the house. If this occurs close off all air controls and manually start the central heating pump if fitted. One radiator on the heating circuit should be uncontrolled to act as a heat leak in the event that the appliance overheats and has nowhere to discharge a build up of hot water should the heating circuit be satisfied. Be aware that steam and boiling water will be expended from any open vent from the heating system probably in the roof space at the expansion tank.

In the unlikely event that the appliance is not operating in freezing conditions the water must be drained from the boiler to prevent frost damage.

Fig.13

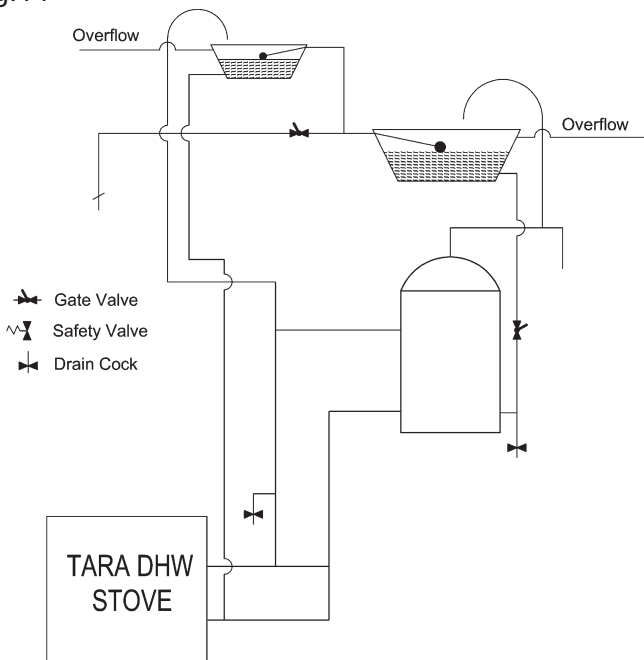


PLUMBING (DHW MODEL ONLY)

The DHW Model must be connected to a gravity system. Care should be taken to ensure that the domestic hot water installation is correctly installed and that it complies with all relevant codes of practice. If this appliances is being connected to an existing system, it is strongly recommended to check the following:

- (a) That the system is sound.
- (b) That the pipe work is adequately insulated.
- (c) Are there any modifications necessary to make the domestic hot water system more efficient.

Fig.14



DIRECT DOMESTIC CYLINDER

A 227 Litre (60 Gallon) direct domestic cylinder can be connected to the DHW stove using copper or stainless steel 28mm O.D. (1”) flow & return pipes. We recommend that the cylinder is lagged along with the pipework. We do not recommend the use of a direct cylinder in areas where there is a high concentration of lime or minerals in the water.

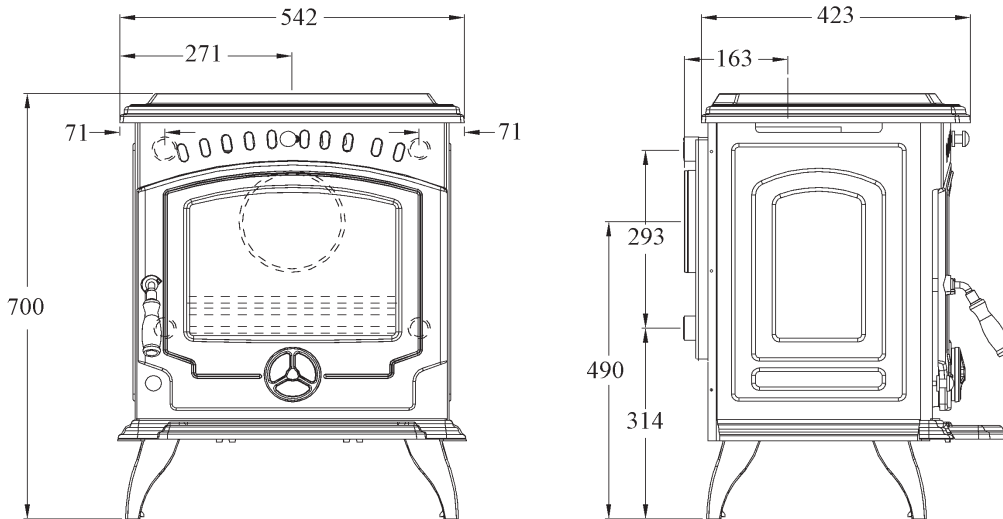
INDIRECT DOMESTIC CYLINDER

A 227 Litre (60 Gallon) indirect domestic cylinder can be connected to the DHW stove using copper or stainless steel 28mm O.D (1”) flow and return pipes. We recommend that the cylinder is lagged along the pipework.

STOVE DIMENSIONS

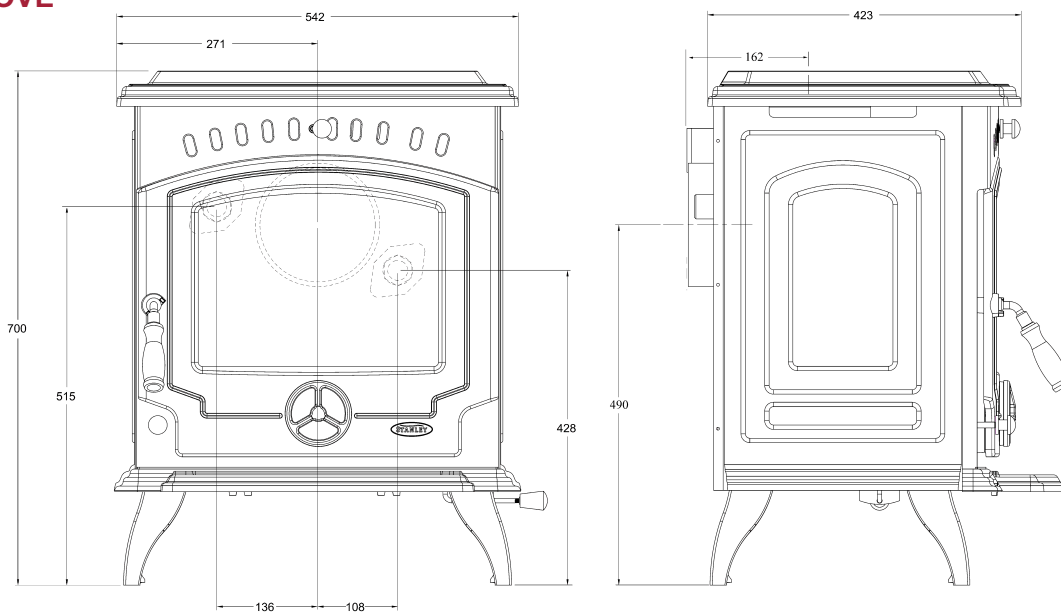
BOILER STOVE

Fig. 15



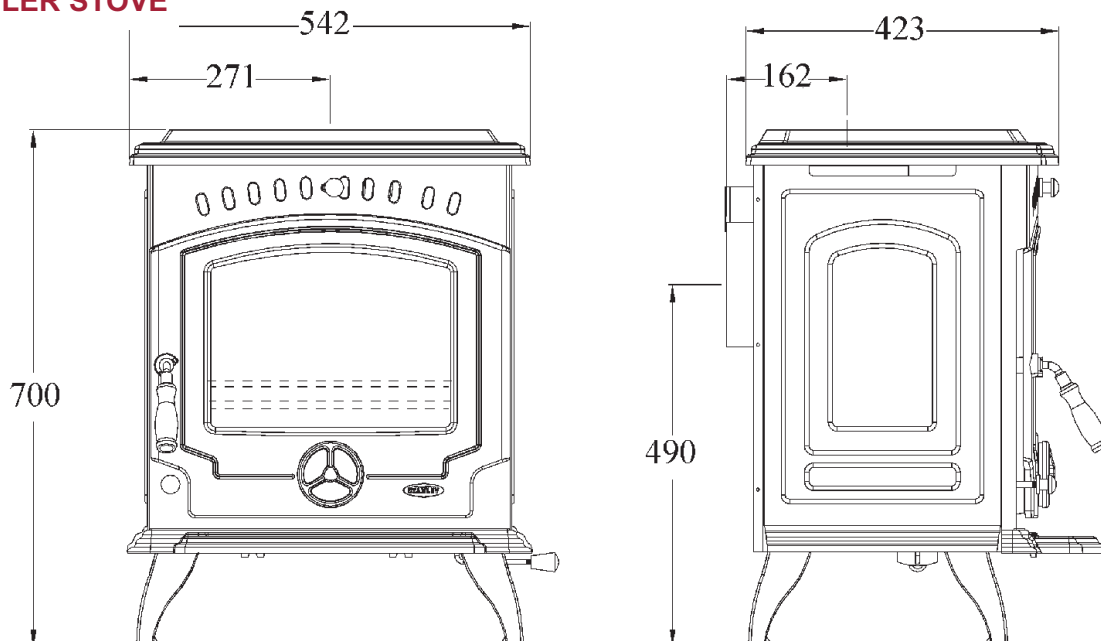
DHW STOVE

Fig. 16



NON BOILER STOVE

Fig. 17



WARNING: DO NOT OBSTRUCT PRIMARY AIR SUPPLY TO THE STOVE

Note: Dimensions stated are in millimetres and may be subject to a slight +/- variation.

COMMISSIONING AND HANDOVER

On completion of the installation allow a suitable period of time for any fire cement and mortar to dry out, when a small fire may be lit and checked to ensure the smoke and fumes are taken from the stove up the chimney and emitted safely to the atmosphere. **Do not run at full output for at least 24 hours.**

Ensure that the operating instructions for the stove are left with the customer. Ensure to advise the customer on the correct use of the appliance with the fuels likely to be used on the stove and warn them to use only the recommended fuels for the stove.

Advise the user what to do should smoke or fumes be emitted from the stove. The customer should be warned to use a fireguard to BS 8423:2010 in the presence of children, aged and/or infirm persons.

OPERATION

Check that all dampers and catches are operating correctly and ensure that all flue connections are thoroughly sealed.

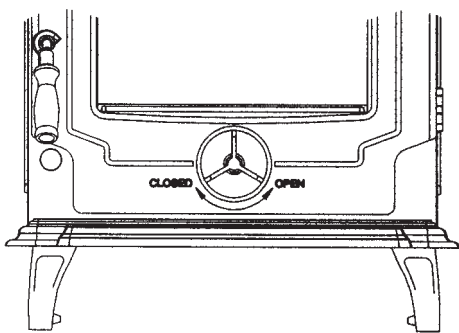


Fig.18

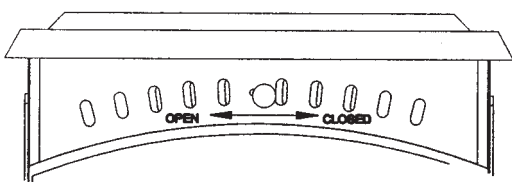


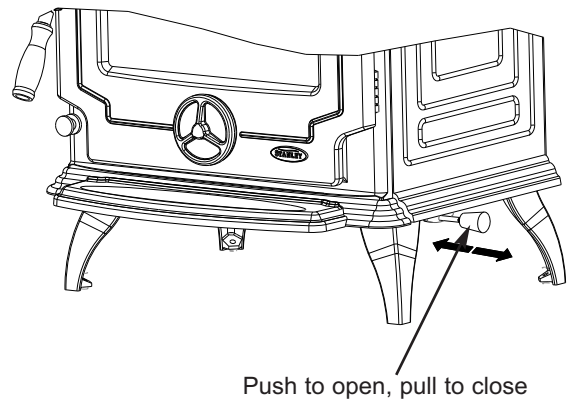
Fig.19

AIR CONTROLS

The HPB model has two independent controls and the NB/ DHW has three controls:

1. The spin valve, located at the bottom end of the door controls the primary air (see Fig. 18). Rotate anti-clockwise to open and clockwise to close.
2. The window wash is located above the door (see Fig. 19). Push left to open and right to close. The Non Boiler and DHW models have an additional secondary air system which is controlled by a push/ pull slider located at the bottom right hand side of the stove (See fig. 20), push to open and pull to close.

Fig.20



NOTE:-

The controls may become hot when the stove is in operation, use tools or glove provided to adjust the controller when the stove is hot.

	Primary Air Control	Window Wash	Secondary Air Control (DHW/ NB Models)
Wood	Closed or slightly open if required	Adjust as required	Adjust as required
Coal	Adjust as required	Open	Closed
Anthracite	Adjust as required	Closed	Closed

RECOMMENDED FUELS

All fuels should be stored under cover and kept as dry as possible prior to use.

This appliance has been tested using seasoned wood logs and manufactured briquetted smokeless fuel (Ancit) for closed appliances, sized between 20g and 140g. Other fuels are commercially available and may give similar results. Wood logs up to 380mm long are suitable. All fuels should be stored under cover and kept as dry as possible prior to use.

Do not use fuels with a Petro-coke ingredient as this may cause the grate to overheat, causing damage. Reduced outputs will result when fuels of lower calorific values are used. Never use gasoline or gasoline type lantern fuel, kerosene, charcoal lighter fluid or similar liquids to start or freshen up a fire in this heater. Keep all such liquid well away from the heater at all times. Operate the stove only with the fuelling door closed except for re-fuelling.

This stove has obtained HETAS Ltd approval for burning natural and manufactured smokeless fuels only as detailed in recommended fuels below. HETAS Approval does not cover the use of other fuels either alone or mixed with the recommended fuels listed, nor does it cover instructions for the use of other fuels.

TECHNICAL DATA							
MODEL		BOILER		NON BOILER		DHW	
Fuel		Coal	Wood	Coal	Wood	Coal	Wood
Parameter							
Max Heat Output	(kW)	10	10	8	8	10	10
Nominal Heat Output	(kW)	7.4	7	4.1	5.5	9.1	9.2
Output to Room	(kW)	1.5	2.1	4.1	5.5	6.5	6.3
Output to Water	(kW)	5.9	5.4	N/A	N/A	2.7	3
Typical Refuel Interval To Achieve Nominal Outputs	(h)	4.15	1	4	1.5	1	0.75
Mean Flue Gas Temp.	(°C)	264	240	250	250	245	286
Gross Weight	(kg)	147		135		135	
Max Water Pressure	(Bar)	2		N/A		2	
Flue Outlet Diameter	(mm)	152		152		152	
Wood Log Size	(mm)	N/A	300	N/A	300	N/A	300

Model	Energy Efficiency Class	Heat Output to Room	Heat Output to Water	Energy Efficiency Index	Preferred Fuel	Nominal Heat Output	Net Efficiency
Tara HPB SF Stove	A	2.1	5.4	106.42	Wood	7.5	79.6
Tara NB SF Stove	A	5.5	N/A	100.48	Wood	5.5	75.5
Tara DHW SF Stove	A	6.3	3	103.96	Wood	9.3	77.9

LIGHTING

Before lighting the stove check with the installer, that the installation work and commissioning checks described previously have been carried out correctly and the chimney has been swept clean, is sound and free from any obstructions. As part of the stove commissioning and handover the installer should demonstrate how to operate the stove correctly.

USER INSTRUCTIONS

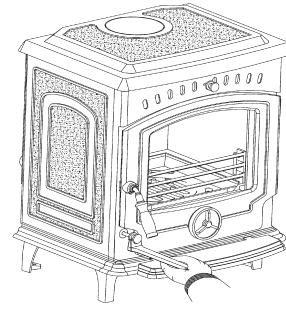
LIGHTING THE STOVE

1. Before lighting the stove, ensure that any build-up in the firebox has been removed and that the ashpan has been emptied.
2. Open the primary air inlet by turning the spin valve at the front of the stove anticlockwise (See Fig. 18)
3. Open the window wash control by sliding the control knob located over the top of the fire door to the left (See Fig. 19) and for the Non Boiler/ DHW model, pushing in the secondary air control (See Fig. 20)
4. Lay a few crumpled sheets of paper on the grate, a few small sticks, kindling or an approved firelighter, add a small quantity of fuel. Light the fire and close the firebox door.
5. Never use inflammable liquid i.e. gasoline, petrol, paraffin etc. to start or freshen up a fire in this heater.
6. When the fire is well established add fuel to the firebox and adjust the air controls as required depending on the fuel type being used and the heat output required (see table in air controls section). All controls should be adjusted in conjunction with each other to set the appropriate burn rate with exact setting on each control depending on the draught condition of the chimney to which the unit is connected.

RE-FUELLING

Riddle the fire by connecting the grate operating tool onto the rocker connection located at the bottom front of the stove, then gently pull and push the rocker arm until all dead ash has fallen through into the ashpan. Before opening the door, open the spin valve by turning it anti-clockwise, as this will help to eliminate any smoke or fly ash resident in the combustion chamber. Add fuel to the fire, close fire door and re-set spin valve to required setting.

Fig.21



SLOW BURNING

Slow burning will cause the window glass to blacken and should not be used for a long period. Opening the air controls will increase the heat output and should remove most of the soot deposits from the glass. For low burning setting close the secondary air control fully and open the spin valve so that it is between 0.5 - 1 mm open. This opening size should be taken as a guideline and may need to be increased/decreased depending on the draught generated by the chimney to which the stove is connected.

DE-ASHING

Never allow ashpan to over fill as it will cause damage to fire fence. When ash build-up becomes excessive in the fire chamber riddle the fire until all dead ash has fallen through to the ashpan. Open the front door and remove ashpan using the operating tool. Close the front door. When the ash is disposed of, replace the empty ashpan.

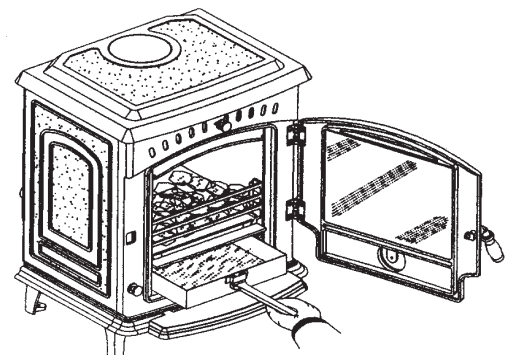
DISPOSAL OF ASHES

Your stove is supplied with a steel ashpan. The ashpan must be emptied every day.

If ashes are allowed to build up to grate level the firebox insert could be damaged by overheating. We recommend that you remove ashes after you have riddled the fire.

Ashes should be placed in a metal or other non-combustible container with a tight fitting lid. The closed container of ashes should be placed on a non-combustible material, pending final disposal. If ashes are buried in soil, or otherwise dumped they should be retained in the closed container until they are thoroughly cooled. See Fig. 22

Fig.22



MONTHLY MAINTENANCE

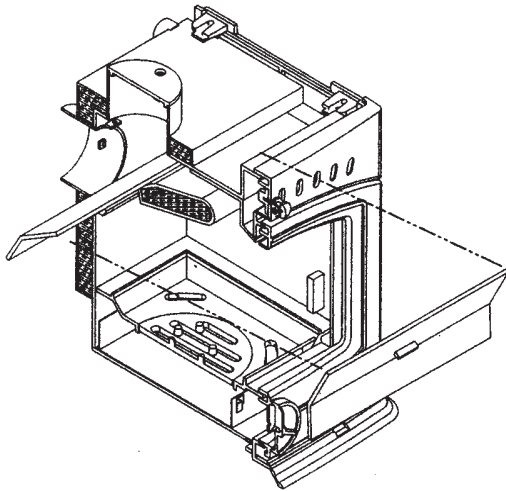
It is recommended that the flue pathways in the stove are cleaned on a monthly basis (or less depending on the soot build up created by the fuel being used) and the chimney cleaned annually.

Boiler Model - See Fig. 23

Remove baffle underneath the boiler cross flow chamber by lifting it upwards and pulling it outwards and insert cleaning brush. Replace baffle before lighting fire.

When fitted correctly the baffle should fall forward to close onto the bottom of the boiler. The appliance will not function correctly with this baffle misaligned or missing.

Fig.23



Non Boiler Model - See Fig. 24, 25 & 26

Remove the fire bricks on each side. Remove secondary air pipe by removing the retaining screw on left hand side. Remove the baffle by first lifting it up and pulling it forward, then rotate it down around the baffle supports. Replace the baffle, the firebricks and the secondary air pipe before the fire is lit. Ensure the secondary air pipe is sealed to the right hand side with fire cement.

Fig.24

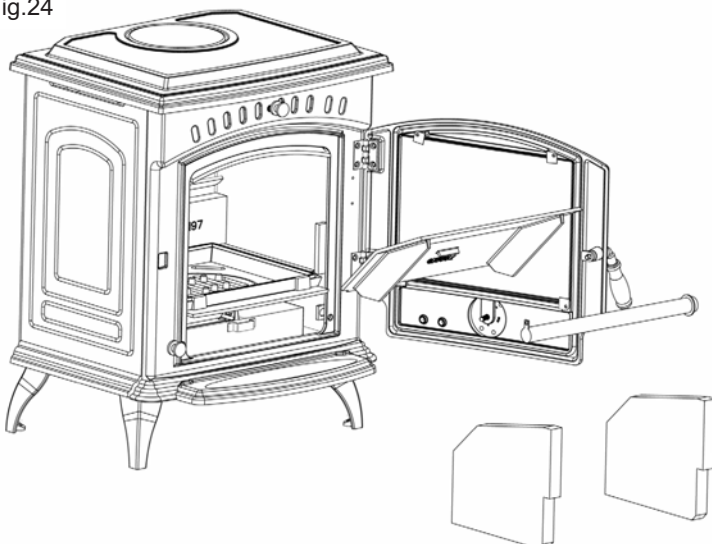


Fig.25

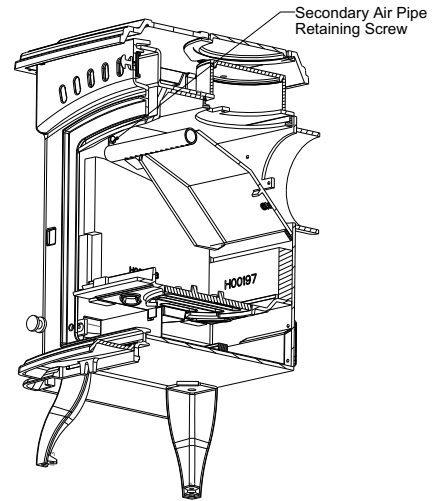
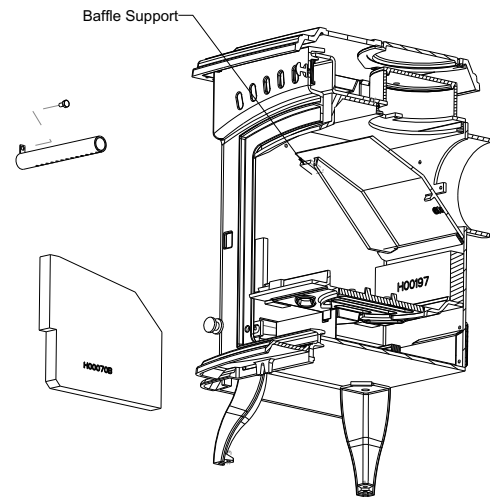


Fig.26

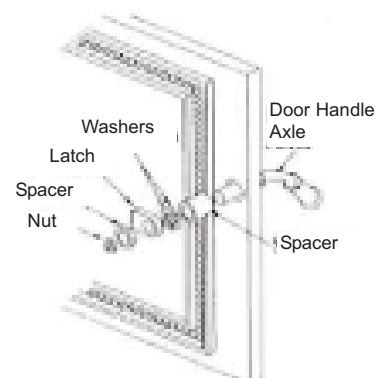


PERIODIC MAINTENANCE

ADJUSTING THE DOOR CATCH

Over time, the fire door latch can loosen due to the continual compression and hardening of the rope seal between the door and the front casting. The position of the latch can be easily adjusted (in order to tighten the door closure) by removing the nut casting to allow the latch to be positioned closer to the back of the door casting - see Figure 27. The tightness of the door seal should be checked after each adjustment is made. It is recommended that the rope seals on the stove are changed at least every two years or sooner if the seal loses its integrity.

Fig.27



CHIMNEY CLEANING

The chimney should be cleaned twice annually or if the stove is not used for a prolonged period during the summer period, it should be cleaned prior to commencement of usage. The chimney can be cleaned through the stove depending on the flue configuration and the flue liner should be cleaned in accordance with manufacturer's instructions. Always use a brush with plastic bristles that is the correct size to reach all areas of the flue.

GLASS CLEANING

The stove glass will self-clean when there is sufficient heat generated by the burning fuel i.e. when the unit is operated at the maximum air settings. If a build-up of creosote occurs on the glass it may be due to low draft conditions, poor quality fuel or operating the stove at the minimum air settings for long periods of time. The glass should be cleaned when cool and cleaned with a non-abrasive cloth using warm soapy water. For stubborn deposits, a grade 0 steel wool can be used whilst taking care not to scratch the glass with any coal/ash deposits.

VITREOUS ENAMEL CLEANING

General cleaning must be carried out when the stove is cool.

If this stove is finished in a high gloss vitreous enamel, to keep the enamel in the best condition observe the following tips:

1. Wipe over daily with a soapy damp cloth, followed by a polish with a clean dry duster.
2. For stubborn deposits a soap impregnated pad can be carefully used on the vitreous enamel.
3. Use only products recommended by the Vitreous Enamel Association, these products carry the Vitramel label.

A detailed list of the approved cleaners can be found on their website www.vea.org.uk/enamel-care/

DO NOT USE ABRASIVE PADS OR OVEN-CLEANSERS CONTAINING CITRIC ACID ON ENAMELLED SURFACES. ENSURE THAT THE CLEANSER MANUFACTURERS INSTRUCTIONS ARE ADHERED TO.

NOTE: Small impact marks on the enamel finish can be repaired using an appropriate enamel touch up (a touch up bottle is included with the stove packaging) but it should not be used to cover marks greater than $\varnothing 10\text{mm}$ or multiple marks on the same casting/area.

CLEANING A MATT BLACK/SENOTHERM STOVE

Cleaning should be done when the stove is cold by removing any dust or dirt using a dry cloth. Do not use any water on the matt black/senotherm finish as this will cause it to rust.

FROZEN SYSTEM

If there is any possibility that the water system may be frozen do not attempt to light the stove until you are certain there is no ice in the system possibly causing a blockage.

PROLONGED PERIODS OF NON USE

If the stove is to be left unused for a prolonged period of time then it should be given a thorough clean to remove ash and unburned fuel residues. To enable a good flow of air through the appliance to reduce condensation and subsequent damage, leave the air controls fully open.

It is important that the flue connection, any appliance baffles or throat plates and the chimney are swept prior to lighting up after a prolonged shutdown period.

WARNING NOTE:

Properly installed, operated and maintained this stove will not emit fumes into the dwelling. Occasional fumes from the de-ashing and re-fuelling may occur. However, persistent fume emission is potentially dangerous and must not be tolerated. If fume emission does persist, then the following immediate action should be taken:

- (a) Open doors and windows to ventilate room.
- (b) Let the fire out or eject and safely dispose of fuel from the stove.
- (c) Check for flue or chimney blockage and clean if required.
- (d) Do not attempt to relight the fire until the cause of the fume emission has been identified and corrected. If necessary seek expert advice.

The most common cause of fume emission is flue-way or chimney blockage. For your own safety these must be kept clean at all times.

FIRE SAFETY

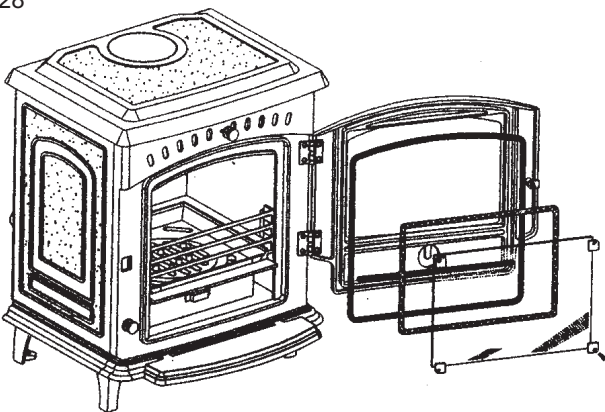
To provide reasonable fire safety, the following should be given serious consideration.

1. Do not over fire the stove.
2. Overfiring will also damage painted or enamel finish.
3. Install a smoke detector in the room.
4. A conveniently located class "A" fire extinguisher to contend with small fires resulting from burning embers.
5. A practical evacuation plan.
6. A plan to deal with a chimney fire as follows:-
 - (a) Notify the fire department.
 - (b) Prepare occupants for immediate evacuation.
 - (c) Close all openings into the stove.
 - (d) While awaiting the fire department watch for ignition to adjacent combustibles from overheated stove pipe or from embers or sparks from the chimney.

GLASS REPLACEMENT

- (a) Open the front door fully.
- (b) Remove the four corner screws and clips and carefully remove the broken glass.
- (c) Clean the glass recess in the door.
- (d) Attach adhesive thermal tape to the perimeter of the replacement glass.
- (e) Place the thermal tape side of the glass into the door recess and replace the four corner clips.
- (f) Tighten screws.
- (g) Replace glass only with ceramic glass 5mm thick. (See Fig. 28)

Fig.28



CO ALARM

The fitting of CO Alarms in the same room as the appliance is a compulsory requirement under current Building Regulations. For ROI an additional CO Alarm must be fitted either inside each bedroom or within 5 metres of the bedroom door, refer to Building Regulations Part J. Further guidance on the installation of a carbon monoxide alarm is available in BS EN 50292:2002 and from the alarm manufacturers instructions.

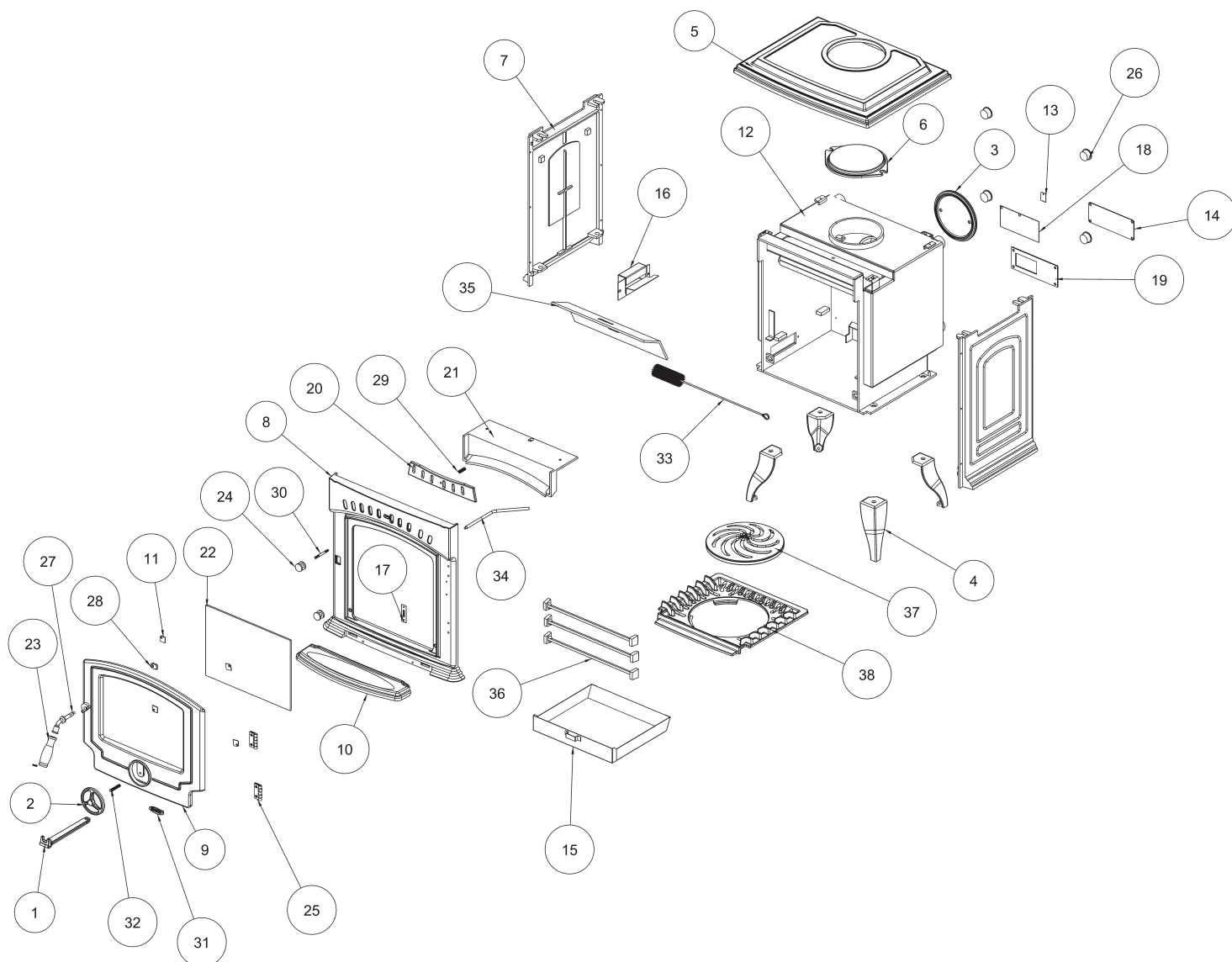
Provision of an alarm must not be considered a substitute for either installing the appliance correctly or ensuring regular servicing and maintenance of the appliance and chimney system.

WARNING:-

If the CO Alarm sounds unexpectedly:-

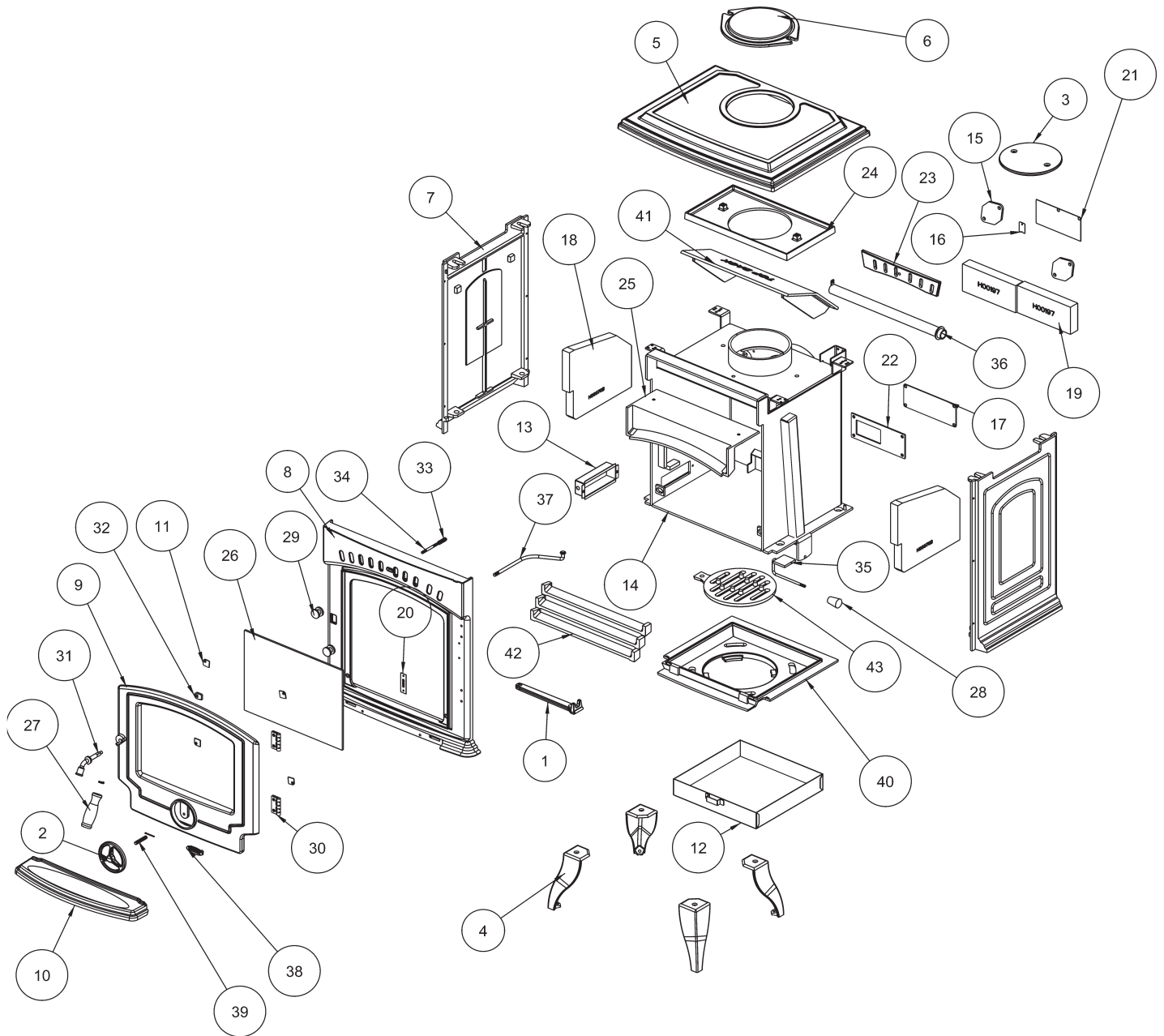
1. **Open Doors and windows to ventilate the room and then leave the premises.**
2. **Let the fire go out.**

TARA HPB EXPLODED VIEW



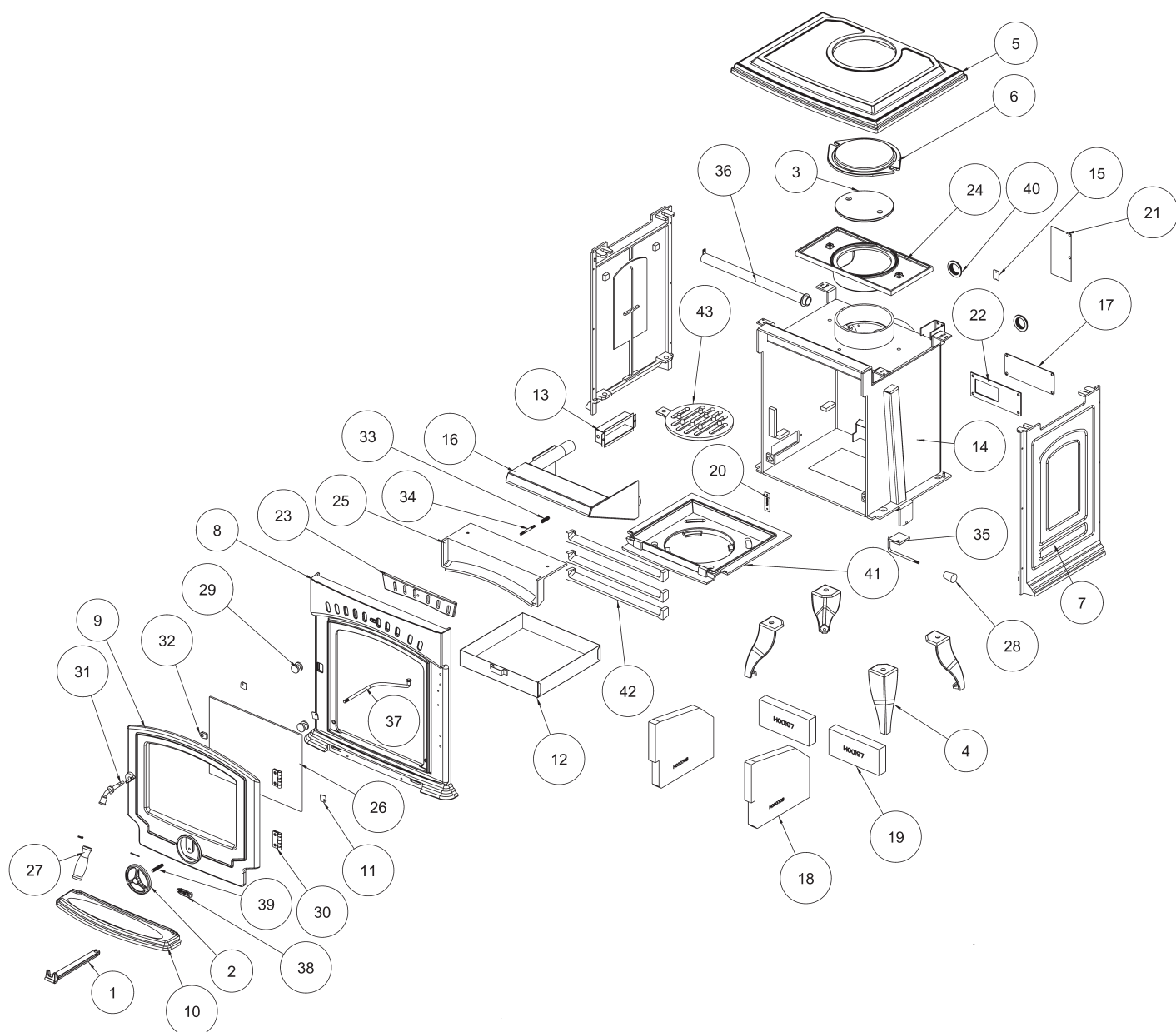
- | | |
|---|---|
| 1. OPERATING TOOL - B00009DZZ | 23. DOOR HANDLE LONG - U00009AXX |
| 2. SPIN VALVE - B00012AZZ | 24. AIR WASH KNOB - U00077AXX |
| 3. FLUE BLANKING PLATE - B00064AZZ | 25. HINGE - U00153AXX |
| 4. LEG - B00077BZZ | 26. BOILER PLUG - V00016AXX |
| 5. HOB - B00209AZZ | 27. DOOR HANDLE AXLE - V00022BXX |
| 6. HOB BLANKING PLATE- B00210AZZ | 28. DOOR LATCH - V00023AXX |
| 7. SIDE PANEL - B00211BZZ | 29. SPRING (RS 751-584) - V00151AXX |
| 8. FRONT PANEL - B00257JBZZ | 30. AIR WASH SHUTTER SHAFT - V00158AXX |
| 9. FRONT DOOR - B00258CZZ | 31. BADGE - V00730BXX |
| 10. ASHTRAY FRONT - B00259AZZ | 32. M8 X 44 SPINDLE - V00763AXX |
| 11. DOOR GLASS CLIP - F00003AXX | 33. FLUE CLEANING BRUSH - V00986AXX |
| 12. TARA BOILER - F00224GXX | 34. PULL ROD - V00992AXX |
| 13. RATING PLATE HOOK - V01072AXX | 35. TOP BAFFLE - Z00017AXX |
| 14. BLANKING PLATE - F01029AXX | 36. FIRE FENCE - Z00020AXX |
| 15. ASHPAN - F01076AXX | 37. GRATE - Z00036AXX |
| 16. PULL ROD BOX - F01077AXX | 38. GRATE SUPPORT - Z00046AXX |
| 17. SERIAL NUMBER PLATE - N00234BXX | |
| 18. DATA PLAQUE - N00443AXX | |
| 19. OSA DAMPER GASKET - P00101AXX | |
| 20. SECONDARY AIR WASH SHUTTER - Q00247AXX | |
| 21. AIR WASH PLATE - Q00564AXX | |
| 22. GLASS WINDOW - T00009AXX | |

TARA NB EXPLODED VIEW



- | | |
|---|---|
| 1. OPERATING TOOL - B00009BZZ | 23. SECONDARY AIR WASH SHUTTER - Q00247AXX |
| 2. SPIN VALVE - B00012AZZ | 24. DRY SHELL PROTECTION PLATE - Q00250AXX |
| 3. FLUE BLANKING PLATE - B00064AZZ | 25. AIR WASH PLATE - Q00564AXX |
| 4. LEG (LONG) - B00077BZZ | 26. GLASS WINDOW - T00009AXX |
| 5. HOB - B00209AZZ | 27. DOOR HANDLE LONG - U00009AXX |
| 6. HOB BLANKING PLATE - B00210AZZ | 28. SECONDARY AIR CONTROL - U00018AXX |
| 7. SIDE PANEL - B00211BZZ | 29. AIR WASH KNOB - U00077AXX |
| 8. FRONT PANEL - B00257JZZ | 30. HINGE - U00153AXX |
| 9. FRONT DOOR - B00258CZZ | 31. DOOR HANDLE AXLE - V00022BXX |
| 10. ASHTRAY FRONT - B00259AZZ | 32. DOOR LATCH - V00023AXX |
| 11. DOOR GLASS CLIP - F00003AXX | 33. SPRING (RS 751-584) - V00151AXX |
| 12. ASHPAN - F00221AXX | 34. AIR WASH SHUTTER - V00158AXX |
| 13. PULL ROD BOX - F00223BXX | 35. SECONDARY AIR DAMPER - V00161AXX |
| 14. DRY SHELL - F00238DXX | 36. SECONDARY AIR TUBE - V00162AXX |
| 15. WS PLUG - F00506AXX | 37. PULL ROD - V00393AXX |
| 16. RATING PLATE HOOK - V01072AXX | 38. BADGE - V00730BXX |
| 17. BLANKING PLATE - F01029AXX | 39. M8X44 SPINDLE - V00763AXX |
| 18. SIDE BRICK - H00070BXX | 40. FIRE BOX INSERT - Z00016BXX |
| 19. TARA BRICK FOR DRY SHELL - H00197AXX | 41. FLUE CLEANING PLATE - Z00019BXX |
| 20. SERIAL NUMBER PLATE - N00234BXX | 42. FIRE FENCE - Z00020AXX |
| 21. DATA PLAQUE - N00442AXX | 43. GRATE - Z00025BXX |
| 22. OSA DAMPER GASKET - P00101AXX | |

TARA DHW EXPLODED VIEW



- | | |
|---|---|
| 1. OPERATING TOOL - B00009BZZ | 22. OSA DAMPER GASKET - P00101AXX |
| 2. SPIN VALVE - B00012AZZ | 23. SECONDARY AIR WASH SHUTTER - Q00247AXX |
| 3. FLUE BLANKING PLATE - B00064AZZ | 24. DRY SHELL PROT. PLATE - Q00250AXX |
| 4. LEG (LONG) - B00077BZZ | 25. AIR WASH PLATE - Q00564AXX |
| 5. HOB - B00209AZZ | 26. GLASS WINDOW - T00009AXX |
| 6. HOB BLANKING PLATE - B00210AZZ | 27. DOOR HANDLE (Long) - U00009AXX |
| 7. SIDE PANEL - B00211BZZ | 28. SECONDARY AIR CONTROL - U00018AXX |
| 8. FRONT PANEL - B00257JZZ | 29. AIR WASH KNOB - U00077AXX |
| 9. FRONT DOOR - B00258CZZ | 30. HINGE - U00153AXX |
| 10. ASHTRAY FRONT - B00259AZZ | 31. DOOR HANDLE AXLE - V00022BXX |
| 11. DOOR GLASS CLIP - F00003AXX | 32. DOOR LATCH - V00023AXX |
| 12. ASHPAN - F00221AXX | 33. SPRING (RS - 751 - 584) - V00151AXX |
| 13. PULL ROD BOX - F00223BXX | 34. AIR WASH SHUTTER SHAFT - V00158AXX |
| 14. DRY SHELL - F00238DXX | 35. SECONDARY AIR DAMPER - V00161AXX |
| 15. RATING PLATE HOOK - V01072AXX | 36. SECONDARY AIR TUBE - V00162AXX |
| 16. TARA DHW BOILER - F00948AXX | 37. PULL ROD - V00393AXX |
| 17. BLANKING PLATE - F01029AXX | 38. BADGE - V00730BXX |
| 18. SIDE BRICK - H00070BXX | 39. M8 X 44 SPINDLE - V00763AXX |
| 19. TARA BRICK FOR DRY SHELL - H00197AXX | 40. BRASS NUT FLANGED - W00910AXX |
| 20. SERIAL NUMBER PLATE - N00234BXX | 41. FIRE BOX INSERT - Z00016BXX |
| 21. DATA PLAQUE - N00566AXX | 42. FIRE FENCE - Z00020AXX |
| | 43. GRATE - Z00025BXX |

TROUBLE SHOOTING

PROBLEM	POSSIBLE CAUSE	ACTION
<i>Fire difficult to start</i>	<p>Unseasoned wood, too damp or poor quality.</p> <p>Logs too big</p>	<p>Use recommended fuel only.</p> <p>To light fire use small, very dry twigs. To maintain fire use split logs.</p>
<i>Fire Goes Out</i>	<p>Air Starvation</p> <p>Insufficient Draught</p>	<p>Open lower spin wheel and top air control lever.</p> <p>Check that the flue is not obstructed, sweep if necessary - (seek advice from a chimney specialist).</p>
<i>Fire Burns Too Quickly</i>	<p>Too much draught</p> <p>Poor Quality Wood/Fuel</p>	<p>Ensure that the lower spin wheel is closed and partially close the top air control lever.</p> <p>Do not continuously burn small wood, sticks, bundles , carpentry off-cuts (plywood / pallets etc)</p>
<i>Smokes When Lighting Up</i>	Flue duct is cold	Burn paper and kindling to increase heat.
<i>Smokes While Burning</i>	<p>Draught is insufficient</p> <p>Down Draught</p> <p>Room is in decompression</p>	<p>Consult a chimney specialist. Check that the flue is not obstructed, sweep if necessary.</p> <p>Install an anti-down draught cowl. Consult your dealer.</p> <p>In houses equipped with Mechanical Ventilation, an outside air intake must be installed for the chimney.</p>
<i>Low Heat Output</i>	Incorrect Fuels	Use the recommended Fuel
<i>Fire Shuts Down After a Period of Time</i>	Insufficient Water Circulation Through The Boiler	Check Plumbing
<i>Excessive Condensation On The Boiler</i>	<p>Cold Water Being Circulated</p> <p>Fuel used Has Excessive Moisture Content</p>	<p>Check That Pipe Thermostat Is Fitted And Set Correctly</p> <p>Season Fuel to Achieve Lower Moisture Content</p>

NOTES



Manufactured by
Waterford Stanley Ltd.,
Unit 401-403, IDA Industrial Estate, Cork Road,
Waterford, Ireland.
Tel: (051) 302300 Fax (051) 302315

